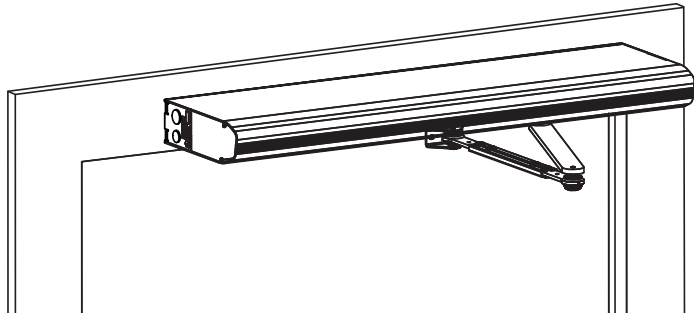




# Swing Door Operator Ditec DAB305

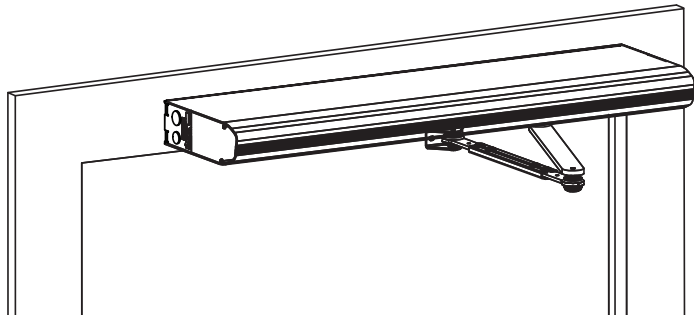


## User Manual



# Swing Door Operator Ditec DAB305

## User Manual



Original instructions

# CONTENTS

Presentation of notes and warning signs .....	5
WARNING: Important safety instructions. It is important for the safety of persons to follow these instructions. Save these instructions. ....	5
Congratulations on your new automatic door! .....	8
Electronic equipment reception interference .....	8
Environmental requirements .....	8
Product liability .....	8
Service .....	9
Intended use .....	9
Technical specification .....	9
How the Ditec DAB305 works .....	10
Regular safety checks .....	11
General accessories .....	14
Safety accessories .....	14
Troubleshooting .....	14
Other products from Ditec .....	14
Declaration of incorporation .....	15

## Presentation of notes and warning signs

Various symbols and texts are used in this manual for easier understanding and identification.

**Note!** When you see **Note!** it contains useful advice and information to ensure correct and compliant usage of the system.



Potential hazardous situation that can lead to either minor or severe injuries or death and cause either minor or substantial property damage.



Potential hazardous situation that could lead to danger of electric shock and cause serious injury or death.

**WARNING:** Important safety instructions. It is important for the safety of persons to follow these instructions. Save these instructions.



- Failure to observe the information in this manual may result in personal injury or damage to equipment.
- To reduce the risk of injury to persons - use this operator with single or double pedestrian swinging or folding doors only.
- The mains power supply shall be installed with protection and an all-pole mains switch with isolating capability of Category III, shall be installed according to local regulations.
- Frequently examine the installation for imbalance where applicable and signs of wear or damage to cables, springs and mounting. Do not use if repair or adjustment is necessary.

- Do not use the equipment if repair or adjustment is necessary.
- **WARNING:** the drive shall be disconnected from its power source during cleaning, maintenance and when replacing parts.
- The operator can be used by children over 8 years of age if they have been instructed by a person in charge of their safety concerning use of the appliance in a safe way and understand the hazards involved.
- The operator can be used by children 8 years of age or younger if they are supervised by a person responsible for their safety.
- The operator can be used by persons with impaired physical, sensory or mental capacity if they have been instructed by a person in charge of their safety concerning use of the appliance in a safe way and understand the hazards involved.
- Cleaning and user maintenance shall not be made by children.
- Do not let children or anyone climb on or play with the door or the fixed/remote controls.
- The doorset can be operated automatically by sensors or manually by activators. It can also be used manually as a door closer.
- Do not dash through a closing door.

- This appliance may contain batteries that are only replaceable by skilled persons.
  - The battery must be removed from the appliance before it is scrapped
  - The appliance must be disconnected from the supply mains when removing the battery.
  - The battery is to be disposed of safely.
- Ensure that controls that can be set for a locked position are only activated when there are no other persons in the room.

# Congratulations on your new automatic door!

ASSA ABLOY Entrance Systems AB has developed automatic doors for more than 50 years. State-of-the-art technology and carefully tested materials and components provide you with a superior product.

As with all other technical products, your automatic door requires periodic maintenance and service. It is essential that you know your automatic door (system) and that you recognize the importance of maintaining it in compliance with applicable standards for safety.

Your local Ditec-authorized representative is familiar with these standards, as well as applicable local codes and Ditec recommendations for power-operated pedestrian doors. Service and adjustments performed by your Ditec-authorized representative, will ensure safe and proper operation of your automatic door unit.

## Electronic equipment reception interference

The equipment may generate and use radio frequency energy and if not installed and used properly, it may cause interference to radio, television reception or other radio frequency type systems.

If other equipment does not fully comply with immunity requirements, interference may occur.

There is no guarantee that interference will not occur in a particular installation. If this equipment does cause interference to radio or television reception, which can be determined by turning the equipment off and on, the user is encouraged to try to correct the interference by one or more of the following measures:

- Re-orient the receiving antenna.
- Relocate the receiver with respect to the equipment.
- Move the receiver away from the equipment.
- Plug the receiver into a different outlet so that equipment and receiver are on different branch circuits.
- Check that protective earth (PE) is connected.

If necessary, the user should consult the dealer or an experienced electronics technician for additional suggestions.

## Environmental requirements

Ditec products are equipped with electronics and may also be equipped with batteries containing materials which are hazardous to the environment. Disconnect power before removing electronics and battery and make sure it is disposed of properly according to local regulations (how and where) as was done with the packaging material.

## Product liability

According to regulations, the following are the responsibility of the owner or caretaker of the equipment

- that the equipment operates correctly, so that it gives sufficient protection in regard to safety and health
- that the equipment is operated and regularly maintained, inspected and serviced by someone with documented competence in the equipment and in applicable regulations
- that the provided "Service Log Book" and "Site Acceptance Test and Risk Assessment" documents are kept available for maintenance and service records
- that inspection covers the emergency opening function (when applicable)
- that the closing force is appropriate for the door size on fire-approved door systems (when applicable).



## Service

Inspections should be done regularly by a trained and qualified person. The frequency of these inspections should be according to national regulations (or according to industry standard if there are no national regulations). This is especially important when the installation concerns a fire-approved door or a door with an emergency-opening function. To extend the life of your investment and ensure safe and reliable operation of the door, we recommend a minimum of 2 visits per year or more, depending on usage and operating conditions. Environmental aspects shall also be considered.

Talk to your Ditec representative to learn more about our service offering.

## Intended use

The Ditec DAB305 is an automatic swing door operator developed to facilitate entrances to buildings and within buildings through swing doors. The Ditec DAB305 is an electromechanical operator approved for fire door applications. It is to be installed indoors where it is suitable for almost all types of external and internal swing doors. This widely-used operator can be found on applications ranging from handicapped-access in private homes to high-traffic retail operations.

The door is designed to offer continuous use, a high degree of safety and maximum lifetime. The system is self-adjusting to the effects caused by normal variations in the weather conditions and to minor friction changes caused by e.g. dust and dirt.

For escape in emergency situations the doorset is opened manually, but can also be opened with motor under certain circumstances.

For installation and maintenance see Installation and Service manual 1020527.

Save these instructions for future reference.

## Technical specification

Manufacturer:	ASSA ABLOY Entrance Systems AB
Address:	Lodjursgatan 10, SE-261 44 Landskrona, Sweden
Type:	Ditec DAB305
Mains power supply:	100-240 V AC +10/-15%, 50/60 Hz
Power consumption:	Max. 300 W
Class of protection:	IP20
Sound pressure:	$L_{pa} \leq 70 \text{ dB}(A)$
Approvals:	Third party approvals from established certification organizations valid for safety in use, see Declaration of Incorporation.

## How the Ditec DAB305 works





The swing door operator Ditec DAB305 uses a DC motor and a gear-reduction system to drive an arm system which opens the door. Closing power is provided by a motor and a closing spring. A highly sophisticated electronic control unit uses a motor encoder and a microprocessor to control the door's movement.

To activate the operator you can use a manual activator (elbow switch) or an automatic activator (radar device). It is also possible – where local standards allow – to activate the operator by just pushing the door, if Push & Go is selected.

After the door has been activated it will open and stay open for a specified Hold Open Time (HOT). When the HOT has elapsed the door will close.

The Ditec DAB305 can be set in three or four different modes, depending on programme selector type, see table below.

In fully manual use (or in case of a power failure) the Ditec DAB305 acts as a normal door closer.

Position		Function
	AUTO Normal position	The door can be opened with the inner and outer manual and/or automatic activators. The electric strike, if fitted, is open.
	OFF	The door is closed. The door cannot be opened with inner and outer activation units. The door is locked if an electromechanical locking device has been fitted. The door can be opened with a key switch (if fitted).
	OPEN	The door is held permanently open by the motor.
	EXIT	Passage from inside only. The door is normally locked if an electromechanical locking device has been fitted. The door can only be opened with the inner activation unit and with a key switch (if fitted).

## Regular safety checks











To help you fulfill the national/international requirements and to avoid malfunction and risk for injuries, we have provided the following checklist.



Do not use the operator if repair or adjustment is necessary.



Disconnect mains power supply <sup>(14)</sup> when cleaning or other maintenance is to be carried out.

Daily Action		If problem occurs	
Activate your operator and check <i>visually</i> , fastening and any damage of <ul style="list-style-type: none"> <li>• operator <sup>(1)</sup></li> <li>• arm system <sup>(2)</sup></li> <li>• cables <sup>(3)</sup></li> <li>• control switch <sup>(4)</sup></li> <li>• hinges <sup>(5)</sup></li> <li>• door and glass <sup>(6)</sup></li> </ul>			
Also inspect your operator and check <i>visually</i> for <ul style="list-style-type: none"> <li>• sharp edges on the door leaf and door frame (if any) <sup>(7)</sup></li> <li>• condition of door seals <sup>(8)</sup></li> <li>• finger protection <sup>(9)</sup></li> <li>• and finally that the complete door runs properly and closes slowly in a smooth way</li> </ul>		 	
Set the mode selector to OFF and check that the operator and electromechanical lock (if fitted) work together. Also check that the lock <sup>(10)</sup> really secures the door.			
Activate the manual activation units <sup>(11)</sup> , if any, and walk towards the door. Check that the door has opened appropriately while you pass the entrance/exit. Then proceed with the automatic activation units <sup>(12)</sup> in the same way.			
Check the safety sensors <sup>(13)</sup> if any, by standing in the swing path and activate the operator. The door must not hit you when opening nor when closing. If you are unsure of which type of sensor you have, please contact your Ditec representative.			
Doors in escape doors	By law, these tests must be performed regularly by trained personnel.	Set the programme selector in AUTO mode. Push the door manually in escape direction and make sure that no object or function will prevent the door from opening. Also make sure the escape route is free for use.	 
Fire doors		Let the door close after an impulse ensuring nothing prevents the door from closing and locking (if regulations require it).	 

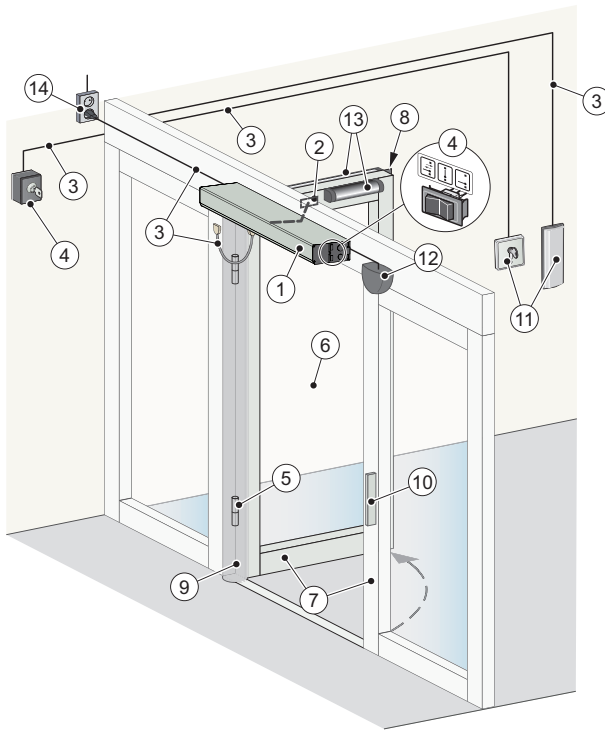


= Take appropriate measures.



= Contact your Ditec representative.

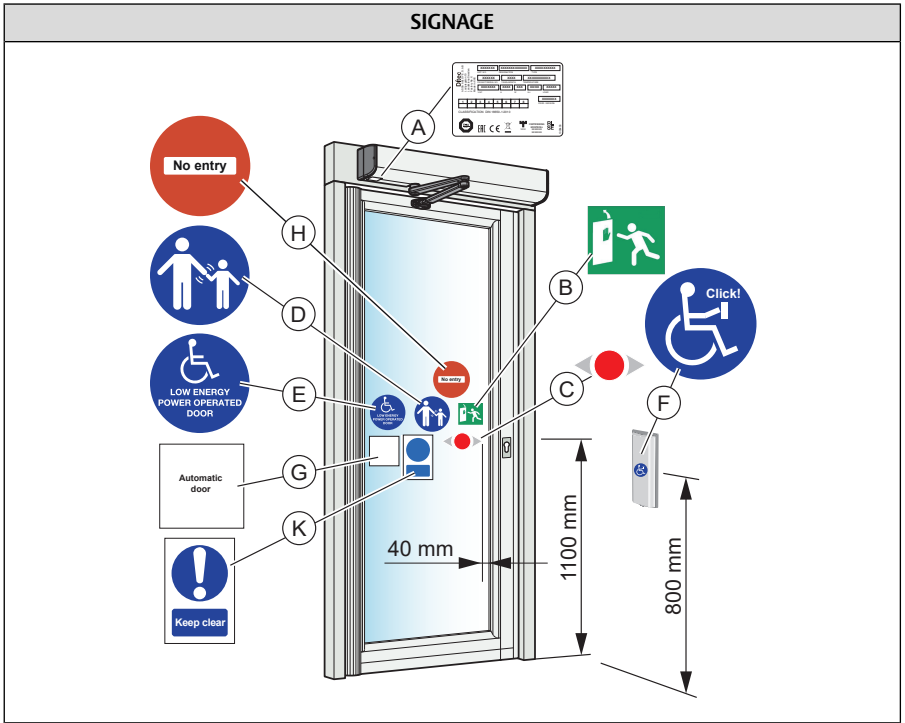
## FUNCTION AND VISUAL INSPECTION



## CLEANING

The best way to remove dust and dirt from the Ditec DAB305 is to use water and a soft cloth or a sponge. A gentle detergent may be used. To maintain the quality of the surface treatment, the surfaces should be cleaned once/four months period. The cleaning should be documented. To avoid damages to the profiles the brushes/weather stripping must be vacuum-cleaned weekly.

- Do not expose windows, doors or profiles to alkalis. Both aluminium and glass are sensitive to alkalis.
- Do not clean with high pressure water. Operator, mode selector and sensor may be damaged and water may enter the profiles.
- Do not use polishing detergent.
- Do not scrub with materials like Scotch-brite, as this will cause mechanical damage.



Action		If problem occurs
Check that all required signage is applied and intact. Mandatory indicates that the signage is required by European directives and equivalent national legislation outside the European Union.		
(A)	Product label: Mandatory	
(B)	Emergency break-out: Mandatory, if approved for escape route.	
(C)	Door sticker. Mandatory, if applicable to highlight the presence of the glass (applied to all glass sections that are moving).	
(D)	Supervision of child (applied to both sides of the door): Mandatory according to national regulations. Recommended, if the risk analysis shows use by children.	
(E)	Operator designed for disabled people: Recommended, if applicable (applied to both sides of the door).	
(F)	Activation by disabled people: Recommended, if applicable.	
(G)	Automatic door. Only mandatory in GB.	
(H)	No entry, identifying one-way traffic: Mandatory in GB, if applicable, not included in the product.	
(I)	Keep clear. Only mandatory in GB.	

= Contact your Ditec service representative.

## General accessories

Your Ditec DAB305 can be further improved with the following add-ons (please contact your local Ditec dealer for detailed description).

- Control switch ④, [see page 12](#)
- Electrical lock ⑩, [see page 12](#)
- Key switch ⑪, [see page 12](#)
- Elbow switch ⑪, [see page 12](#)
- Radar ⑫, [see page 12](#)
- Wireless transmitters (not illustrated)
- Access control (not illustrated)
- Door stop (not illustrated)

## Safety accessories

Even though the Ditec DAB305 is installed to comply with all applicable safety regulations, it is possible to enhance safety/comfort with the following add-ons (please contact your local ASSA ABLOY Entrance Systems company for detailed description).

- Safety sensors ⑬, [see page 12](#).
- Finger protection ⑨, [see page 12](#).

## Troubleshooting

What's wrong?	Remedies
<b>The door does not open</b>	
The motor does not start	Change the setting of the mode selector. ( <a href="#">See page 10</a> ).
	Check that there are no objects in the detection zone if a sensor is fitted.
	Check the mains power and fuse in the building.
<b>The motor starts but door(s) will not open</b>	Unlock the mechanical locks.
	Check that nothing is jammed beneath the door.
<b>The door does not close</b>	Change the setting of the mode selector. ( <a href="#">See page 10</a> ).
	Check that there are no objects in the detection zone if a sensor is fitted.
	Check that nothing is jammed beneath the door.
The door opens and closes continuously	Check that there are no moving objects within 1-1.5 m (39"-59") from the door if an automatic activation unit is fitted.
<b>If the problem continues, please contact your Ditec representative.</b>	

## Other products from Ditec

- Door Systems
- Sliding doors
- Automatic and manual activation units

## Declaration of incorporation

We

ASSA ABLOY Entrance Systems AB  
Lodjursgatan 10  
SE-261 44 Landskrona  
Sweden

declare under our sole responsibility that the type of equipment:  
**Ditec DAB305 Swing door operator**

complies with the following directives:

**2014/30/EU ElectroMagnetic Compatibility Directive (EMCD)**

**2006/42/EC Machinery Directive (MD) the following essential health and safety requirements:**

**1.1.2, 1.1.3, 1.2.1, 1.2.2, 1.2.3, 1.2.4.2, 1.2.6, 1.3.9, 1.4.3, 1.5.1, 1.5.2, 1.5.11, 1.7.2, 1.7.4, 1.7.4.1, 1.7.4.2. Technical documentation for safe integration is provided.**

**2011/65/EU on the restriction of the use of certain hazardous substances in electrical and electronic equipment with the applicable amendments (RoHS)**

Harmonized European standards which have been applied:

EN 60335-2-103:2015

EN 61000-6-2:2005

EN 61000-6-3:2007+A1:2011

EN ISO 13849-1:2015

EN 16005:2012/AC:2015

EN 60335-1:2012/AC:2014+A11:2014+A13:2017  
+A1:2019+A14:2019+A2:2019

Other standards or technical specifications, which have been applied:

BBR

BVL

DIN 18263-4:1997

IEC 60335-1:2010 ed. 5

IEC 60335-2-103:2002 ed. 1/2011 ed. 2.1

EN 1158:1997+A1:2002+AC:2006

EN 1634-1:2008

Certificate issued by a notified or competent body concerning the equipment:  
RISE C900020

Relevant technical documentation has been compiled according to 2006/42/EC annex VII section B.

The manufacturing process ensures the compliance of the equipment with the technical file.

Relevant information about the partly completed machine will be handed over at a motivated and specified request from national authorities.

The equipment must not be used until the final installed automatic door system has been declared in compliance with the machinery directive 2006/42/EC.

The CE mark was first applied 2020-03-17.

Compilation of technical documentation applicable to the listed essential health and safety requirements:

Matteo Fino  
Business Area PGA  
Ditec S.p.A.

Largo U. Boccioni, 1 - 21040 Origgio (VA) - Italy.

Signed for and on behalf of ASSA ABLOY Entrance Systems AB by:

Place  
Origgio

Date  
2021-11-11

Signature  
Matteo Fino

Position  
President B.A. PGA

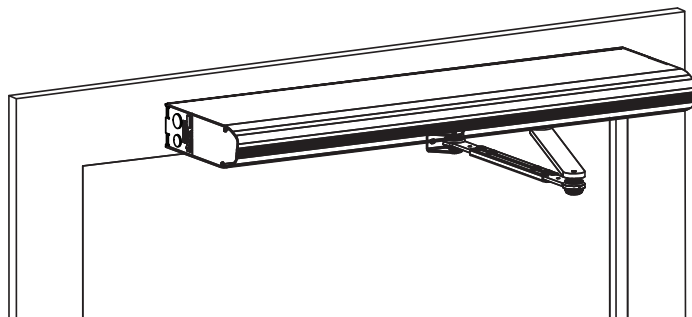






# Automatismo per porte a battente Ditec DAB305

## Manuale dell'utente



Traduzione delle istruzioni originali

# INDICE

Presentazione di note e segnalazioni di avvertenza .....	19
AVVERTENZA: Istruzioni di sicurezza importanti. È fondamentale attenersi alle presenti istruzioni per salvaguardare la sicurezza delle persone. Conservare queste istruzioni. .19	
Congratulazioni per l'acquisto della vostra nuova porta automatica! .....	22
Ricezione di interferenze da apparecchi elettronici .....	22
Requisiti ambientali .....	22
Responsabilità del prodotto .....	22
Assistenza .....	23
Destinazione d'uso .....	23
Specifiche tecniche .....	23
Come funziona il Ditec DAB305 .....	24
Controlli di sicurezza regolari .....	25
Accessori generali .....	28
Accessori di sicurezza .....	28
Risoluzione dei problemi .....	28
Altri prodotti di Ditec .....	28
Dichiarazione di incorporazione .....	29

## Presentazione di note e segnalazioni di avvertenza

In questo manuale vengono utilizzati diversi simboli e testi per facilitare la comprensione e l'identificazione.

**Nota:** La dicitura **Nota!** è utilizzata per segnalare utili consigli e informazioni per garantire un utilizzo corretto e conforme del sistema.



Situazione potenzialmente pericolosa che può condurre a infortuni leggeri o più gravi, se non addirittura fatali, e causare danni leggeri o più pesanti alla proprietà.



Situazioni potenzialmente pericolose che possono causare pericoli di folgorazione e infortuni gravi o fatali.

**AVVERTENZA:** Istruzioni di sicurezza importanti. È fondamentale attenersi alle presenti istruzioni per salvaguardare la sicurezza delle persone. Conservare queste istruzioni.



- La mancata osservanza delle informazioni contenute nel presente manuale può dare luogo a infortuni personali o danni all'apparecchio.
- Per ridurre il rischio di infortuni - utilizzare questo automatismo esclusivamente per porte pedonali singole o doppie, a battente o a soffietto.
- L'alimentazione di rete deve essere installata dotata di protezione con interruttore generale onnipolare con capacità d'isolamento di Categoria III installato nel rispetto delle normative locali.

- Controllare frequentemente l'installazione per individuare eventuali squilibri dove applicabile, oppure segni di usura, danni a cavi e molle o ancora problemi di montaggio. Non azionare se sono necessarie regolazioni o riparazioni.
- Non utilizzare l'apparecchiatura se sono necessarie regolazioni o riparazioni.
- **AVVERTENZA:** l'azionamento deve essere scollegato dall'alimentazione durante la pulizia, la manutenzione e in caso di sostituzione di componenti.
- L'automatismo può essere azionato da bambini di età superiore a 8 anni, se adeguatamente istruiti da un responsabile della loro sicurezza in termini di utilizzo sicuro dell'apparecchiatura e piena comprensione dei rischi correlati.
- L'automatismo può essere utilizzato da bambini di età anche inferiore a 8 anni, se adeguatamente tenuti sotto controllo da un responsabile della loro sicurezza.
- L'automatismo può essere utilizzato da persone con capacità fisiche, sensoriali o mentali ridotte se adeguatamente istruite da un responsabile della loro sicurezza in termini di utilizzo sicuro dell'apparecchiatura e piena comprensione dei rischi correlati.
- La pulizia e la manutenzione a cura dell'utente non devono essere eseguite da bambini.
- Impedire a chiunque, bambini compresi, di arrampicarsi sulla porta o di giocare con essa o con i comandi fissi o a distanza.

- Il gruppo di porte può essere attivato automaticamente dai sensori o manualmente dagli organi d'impulso. Può anche essere utilizzato manualmente come chiudiporta.
- Non passare attraverso la porta che si sta chiudendo.
- Questa apparecchiatura può contenere batterie la cui sostituzione deve essere affidata a personale competente.
  - La batteria deve essere rimossa dall'apparecchiatura prima dello smaltimento
  - L'apparecchiatura deve essere scollegata dalla rete di alimentazione durante la rimozione della batteria.
  - La batteria deve essere smaltita in sicurezza.
- Verificare che i comandi che possono essere impostati per una posizione bloccata possano attivarsi esclusivamente in assenza di altre persone nel locale.

## Congratulazioni per l'acquisto della vostra nuova porta automatica!

ASSA ABLOY Entrance Systems AB costruisce porte automatiche da oltre 50 anni. La combinazione tra tecnologia allo stato dell'arte e materiali e componenti testati accuratamente offre un prodotto di qualità superiore.

Come qualsiasi altro prodotto tecnico, una porta automatica necessita periodicamente di manutenzione e assistenza. È fondamentale conoscere la propria porta automatica (sistema) e riconoscere l'importanza della sua manutenzione in conformità agli standard applicabili in materia di sicurezza. Il rappresentante autorizzato Ditec locale conosce tali standard, nonché tutte le normative applicabili a livello locale e le raccomandazioni di Ditec per porte pedonali ad azionamento elettrico. Gli interventi di assistenza e regolazione eseguiti dal centro di assistenza autorizzato Ditec garantiscono un funzionamento corretto e sicuro della porta automatica.

## Ricezione di interferenze da apparecchi elettronici

L'apparecchio utilizza e può generare radiofrequenze; pertanto, se non viene installato e utilizzato correttamente, può interferire con la ricezione di segnali radio e televisivi.

Se le altre apparecchiature non sono pienamente conformi ai requisiti di immunità, possono verificarsi interferenze.

Non è possibile garantire l'assenza di interferenze in una particolare installazione. Se il dispositivo provoca interferenze alla ricezione di segnali radio o televisivi, determinabili accendendo e spegnendo il dispositivo, è opportuno provare a eliminarle adottando una o più delle seguenti misure:

- Riorientare l'antenna di ricezione.
- Riposizionare il ricevitore rispetto all'apparecchio.
- Allontanare il ricevitore dall'apparecchio.
- Collegare il ricevitore a una presa differente in modo che il dispositivo e il ricevitore siano collegati a diramazioni differenti del circuito.
- Verificare che la protezione di messa a terra (PE) sia collegata.

Se necessario, rivolgersi al proprio rivenditore oppure a un tecnico elettronico esperto per ulteriori suggerimenti.

## Requisiti ambientali

I prodotti Ditec sono dotati di componenti elettronici ed eventualmente di batterie contenenti materiali pericolosi per l'ambiente. Scollegare l'alimentazione prima di rimuovere i componenti elettronici e la batteria, e verificare che lo smaltimento venga eseguito come previsto dalle normative locali (in termini di luogo e modalità), analogamente a quanto fatto per il materiale d'imballaggio.

## Responsabilità del prodotto

Conformemente alle normative, le seguenti responsabilità sono a carico del proprietario o dell'utilizzatore dell'apparecchio:

- che l'apparecchiatura funzioni correttamente in modo tale da garantire una sufficiente protezione in materia di salute e sicurezza
- che l'apparecchiatura sia utilizzata, ispezionata, oggetto di regolare manutenzione e assistenza da parte di qualcuno che vanti una competenza documentata in relazione all'apparecchiatura e alle normative applicabili
- che i documenti "Registro di assistenza" e "Prova di accettazione e Valutazione dei rischi" sono tenuti a disposizione per la registrazione degli interventi di manutenzione ed assistenza,
- l'ispezione deve comprendere l'apertura di emergenza (quando applicabile);
- la forza di chiusura deve essere appropriata per le dimensioni della porta sui sistemi di porte antincendio (quando applicabile)

## Assistenza

Le ispezioni devono essere eseguite regolarmente a cura di un addetto addestrato e qualificato. La frequenza di tali ispezioni deve essere quella specificata dalle normative in vigore a livello nazionale (o quella standard del settore, se non esistono normative a livello nazionale). Questo è particolarmente importante quando l'installazione riguarda una porta antincendio o una porta con funzione di apertura di emergenza. Per migliorare la durata funzionale dell'investimento e garantire un funzionamento sicuro e affidabile della porta, raccomandiamo almeno 2 o più ispezioni annuali, a seconda delle condizioni d'uso e funzionamento. È inoltre necessario tenere conto degli aspetti ambientali.

Rivolgetevi al rappresentante Ditec per saperne di più sulla nostra offerta di assistenza.

## Destinazione d'uso

Il modello Ditec DAB305 è un automatismo per porte scorrevoli sviluppato per facilitare l'accesso agli edifici e all'interno degli edifici tramite porte scorrevoli. Il modello Ditec DAB305 è un automatismo elettromeccanico approvato per l'utilizzo con porte tagliafuoco. La sua installazione è prevista in interni, dove è adatto a quasi tutti i tipi di porte a battente interne ed esterne. Tale automatismo viene utilizzato in applicazioni che variano dall'accesso per persone disabili in abitazioni private alle rivendite al dettaglio con un traffico elevato.

La porta è progettata per l'uso continuo con un elevato livello di sicurezza e la massima durata. Il sistema compensa automaticamente gli effetti dovuti alle normali variazioni delle condizioni meteorologiche e le piccole variazioni di attrito dovute, ad esempio, alla polvere e alla sporcizia.

In caso di fuga per situazioni di emergenza, il gruppo porte viene aperto manualmente ma può essere aperto anche con il motore in determinate circostanze.

Per l'installazione e la manutenzione, vedere il Manuale d'Installazione e manutenzione 1020527.

Conservate le presenti istruzioni per futuri riferimenti.

## Specifiche tecniche

Produttore:	ASSA ABLOY Entrance Systems AB
Indirizzo:	Lodjursgatan 10, SE-261 44 Landskrona, Sweden
Tipo:	Ditec DAB305
Alimentazione di rete:	100-240 V CA +10/-15%, 50/60 Hz
Consumo di corrente:	Max. 300 W
Classe di protezione:	IP20
Pressione sonora:	$L_{pa} \leq 70 \text{ dB}(A)$
Omologazioni:	Autorizzazioni per conto terzi concesse da organizzazioni di certificazione valide per la sicurezza generale, vedere la Dichiarazione di incorporazione.

## Come funziona il Ditec DAB305





L'automatismo per porte a battente Ditec DAB305 utilizza un motore in CC e un sistema di riduzione ad ingranaggi per azionare un sistema di bracci che apre la porta. La forza di chiusura viene garantita da un motore e una molla di chiusura. Un'unità di controllo elettronica molto sofisticata si avvale di un encoder del motore e un microprocessore per controllare il movimento della porta.

Per attivare l'automatismo, è possibile utilizzare un organo di impulso manuale (contatto a gomito) o un organo di impulso automatico (radar). È inoltre possibile, quando consentito dagli standard locali, attivare l'automatismo semplicemente spingendo la porta, se è selezionata l'opzione Push & Go.

Una volta attivata, la porta si apre e resta in tale posizione per un tempo determinato (Hold Open Time, HOT). Quando il tempo HOT è trascorso, la porta si chiude.

Il Ditec DAB305 può essere configurato con tre o quattro diverse modalità, in funzione del tipo di selettore di programma, vedere la tabella sotto.

In caso di utilizzo completamente manuale (o in caso di interruzione dell'alimentazione), Ditec DAB305 funziona come un normale chiudiporta.

Posizione	Funzione
 AUTO Posizione normale	La porta può essere aperta con gli organi di impulso manuali e/o automatici interni ed esterni. Se montato, l'incontro elettrico è aperto.
 OFF	La porta è chiusa. La porta non può essere aperta con gli organi d'impulso interni ed esterni. La porta è bloccata se è montato un dispositivo di blocco elettromeccanico. La porta può essere aperta con un interruttore a chiave (se montato).
 APERTA	La porta viene mantenuta sempre aperta dal motore.
 USCITA	Passaggio solamente dall'interno. La porta è normalmente bloccata se è montato un dispositivo di blocco elettromeccanico. La porta può essere aperta solamente con l'organo d'impulso interno e con un interruttore a chiave (se montato).



## Controlli di sicurezza regolari

Per contribuire alla soddisfazione dei requisiti nazionali e internazionali ed evitare sia i problemi di funzionamento che i rischi di infortuni, viene fornita la seguente checklist.



Evitare di utilizzare l'automatismo se sono necessarie regolazioni o riparazioni.



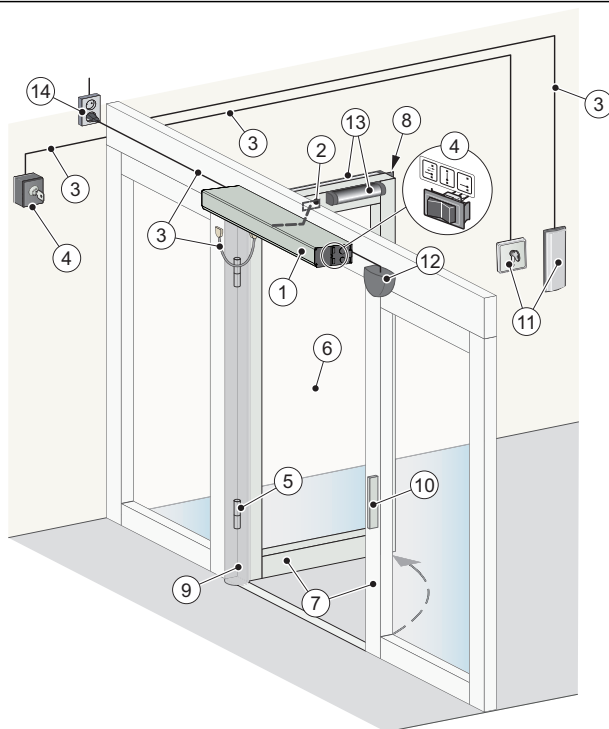
Scollegare l'alimentazione di rete <sup>⑭</sup> durante la pulizia o altri lavori di manutenzione.

Azione quotidiana		Se si verifica un problema
Attivare l'automatismo e controllare <i>visivamente</i> eventuali danni ed il fissaggio di <ul style="list-style-type: none"> <li>• automatismo <sup>①</sup></li> <li>• sistema di bracci <sup>②</sup></li> <li>• cavi <sup>③</sup></li> <li>• Interruttore di controllo <sup>④</sup></li> <li>• cerniere <sup>⑤</sup></li> <li>• porta e vetri <sup>⑥</sup></li> </ul>		
Inoltre ispezionare l'automatismo e controllare <i>visivamente</i> <ul style="list-style-type: none"> <li>• la presenza di bordi taglienti sull'anta e sul telaio (se presente) della porta <sup>⑦</sup></li> <li>• le condizioni delle tenute della porta <sup>⑧</sup></li> <li>• la protezione dita <sup>⑨</sup></li> <li>• e, infine, che l'intera porta funzioni correttamente e si chiuda lentamente in modo uniforme</li> </ul>		 
Impostare il selettore di funzionamento su OFF e controllare che l'automatismo e la serratura elettromeccanica (se presente) funzionino correttamente. Controllare inoltre che la serratura <sup>⑩</sup> chiuda e blocchi la porta.		
Verificare gli eventuali organi di impulso manuali <sup>⑪</sup> e camminare verso la porta. Controllare che la porta si sia aperta correttamente mentre si attraversa l'ingresso/l'uscita. Quindi applicare la stessa procedura agli organi di impulso automatici <sup>⑫</sup> .		
Controllare i sensori di sicurezza <sup>⑬</sup> , se presenti, stando nel percorso della porta a battente e attivando l'automatismo. La porta non deve colpire l'utente né all'apertura, né alla chiusura. In caso di dubbi relativi al tipo di sensore installato, rivolgersi al rappresentante Ditec.		
Ante nelle uscite di sicurezza	Portare il selettore di programma sulla modalità AUTO. Spingere manualmente la porta nella direzione dell'apertura di emergenza e verificare che non ci siano oggetti o funzioni in grado di impedirne l'apertura. Inoltre, verificare che la via di fuga possa essere utilizzata senza ostacoli.	 
Porte antincendio	Lasciar chiudere la porta dopo un impulso, garantendo che nulla impedisca alla porta di chiudersi e bloccarsi (se richiesto dalle regole).	 

= Adottare le misure appropriate.

= Contattare il rappresentante Ditec.

## ISPEZIONE FUNZIONALE E VISIVA



## PULIZIA

Il metodo migliore per rimuovere polvere e sporcizia dalla porta Ditec DAB305 è utilizzare un panno morbido o una spugna.

È possibile utilizzare un detergente delicato. Per mantenere la qualità del trattamento superficiale, le superfici devono essere pulite almeno tre volte all'anno. La pulizia deve essere documentata. Onde evitare danni ai profili, le spazzole/i paraspifferi devono essere pulite/i settimanalmente

- Non trattare vetri, porte o profili con soluzioni alcaline. Sia il vetro che l'alluminio sono sensibili agli alcali.
- Non pulire con acqua ad alta pressione. L'automatismo, il selettore della modalità e il sensore possono danneggiarsi, mentre l'acqua può penetrare nei profili.
- Non utilizzare detersivi abrasivi.
- Per evitare danni meccanici, non strofinare con materiali tipo Scotch-brite ecc.

## SEGNALETICA



Azione		Se si verifica un problema
Controllare che tutta la segnaletica richiesta sia stata affissa e sia intatta. Obbligatorio indica che la segnaletica è richiesta dalle Direttive europee e da equivalenti norme nazionali al di fuori dell'Unione Europea.		
(A)	Etichetta prodotto: Obbligatoria	
(B)	Sistema antipanico d'emergenza: Obbligatorio, se approvato per la via di fuga.	
(C)	Adesivo porte. Obbligatorio, se applicabile, per segnalare la presenza del vetro (affisso su tutte le sezioni mobili in vetro).	
(D)	Supervisione bambini (applicato su entrambi i lati della porta): Obbligatorio in base alle normative nazionali. Consigliato quando l'analisi dei rischi dimostra l'utilizzo anche da parte di bambini.	
(E)	Automatismo progettato per i disabili: Consigliato, se applicabile (applicato su entrambi i lati della porta).	
(F)	Dispositivo di attivazione per diversamente abili: Consigliato, se applicabile.	
(G)	Porta automatica. Obbligatorio solo in GB.	
(H)	Ingresso vietato, identificante traffico ad una via: Obbligatorio nel Regno Unito, se applicabile, non in dotazione al prodotto.	
(I)	Tenere sgombro. Obbligatorio solo in GB.	

= Rivolgersi al rappresentante dell'assistenza Ditec.

## Accessori generali

Ditec DAB305 può essere ulteriormente migliorato con i seguenti accessori (rivolgersi al rivenditore Ditec locale per una descrizione dettagliata).

- Interruttore di controllo ④, [vedere a pagina 26](#)
- Blocco elettrico ⑩, [vedere pagina 26](#)
- Interruttore a chiave ⑪, [vedere pagina 26](#)
- Contatto a gomito ⑪, [vedere pagina 26](#)
- Radar ⑫, [vedere pagina 26](#)
- Trasmettitori wireless (non illustrati)
- Controllo dell'accesso (non illustrato)
- Fermo porta (non illustrato)

## Accessori di sicurezza

Anche se Ditec DAB305 viene installato seguendo le normative applicabili in materia di sicurezza, è possibile migliorare la protezione/il comfort con i seguenti accessori (rivolgersi alla società ASSA ABLOY Entrance Systems locale per una descrizione dettagliata).

- Sensori di sicurezza ⑬, [vedere pagina 26](#).
- Protezione per le dita ⑨, [vedere pagina 26](#).

## Risoluzione dei problemi

Qual'è il problema?	Rimedi
<b>La porta non si apre</b>	
Il motore non si avvia	Cambiare l'impostazione del selettore della modalità. <a href="#">(Vedere a pagina24)</a> .
	Controllare che non vi siano oggetti nella zona di rilevamento, se è montato un sensore.
	Controllare l'alimentazione di rete e il relativo fusibile dell'edificio.
<b>Il motore parte, ma la porta o le porte non si aprono</b>	Sbloccare le serrature meccaniche.
	Controllare che non vi sia nulla incastrato sotto la porta.
<b>La porta non si chiude</b>	Cambiare l'impostazione del selettore della modalità. <a href="#">(Vedere a pagina24)</a> .
	Controllare che non vi siano oggetti nella zona di rilevamento, se è montato un sensore.
	Controllare che non vi sia nulla incastrato sotto la porta.
La porta si apre e chiude di continuo	Controllare che non vi siano oggetti in movimento a meno di 1-1,5 m dalla porta, se è montato un organo di impulso automatico.
<b>Se il problema persiste, rivolgersi al rappresentante Ditec.</b>	

## Altri prodotti di Ditec

- Ingressi completi
- Porte scorrevoli
- Organi d'impulso automatici e manuali

## Dichiarazione di incorporazione

Noi

ASSA ABLOY Entrance Systems AB  
Lodjursgatan 10  
SE-261 44 Landskrona  
Sweden

dichiariamo sotto la nostra esclusiva responsabilità che il tipo di apparecchiatura:  
**Ditec DAB305 Swing door operator**

è conforme alle seguenti direttive:

**Direttiva sulla Compatibilità Elettromagnetica (EMCD) 2014/30/UE**

**Direttiva Macchine 2006/42/EC (MD) nonché ai seguenti requisiti essenziali di salute e sicurezza:**

1.1.2, 1.1.3, 1.2.1, 1.2.2, 1.2.3, 1.2.4.2, 1.2.6, 1.3.9, 1.4.3, 1.5.1, 1.5.2, 1.5.11, 1.7.2, 1.7.4, 1.7.4.1, 1.7.4.2. La documentazione tecnica per un'integrazione corretta è in dotazione.

**Direttiva 2011/65/UE sulla restrizione dell'uso di determinate sostanze pericolose nelle apparecchiature elettriche ed elettroniche (RoHS), con le modifiche applicabili**

Sono stati applicati i seguenti standard europei armonizzati:

EN 60335-2-103:2015

EN 61000-6-2:2005

EN 61000-6-3:2007+A1:2011

EN ISO 13849-1:2015

EN 16005:2012/AC:2015

EN 60335-1:2012/AC:2014+A11:2014+A13:2017  
+A1:2019+A14:2019+A2:2019

Altre normative o specifiche tecniche applicate:

BBR

BVL

DIN 18263-4:1997

IEC 60335-1:2010 ed. 5

IEC 60335-2-103:2002 ed. 1/2011 ed. 2.1

EN 1158:1997+A1:2002+AC:2006

EN 1634-1:2008

Certificato emesso da un ente notificato o competente relativo all'apparecchio:

RISE C900020

La documentazione tecnica pertinente è stata compilata in conformità all'allegato VII 2006/42/CE, sezione B.

Il processo produttivo garantisce che l'apparecchiatura sia conforme al fascicolo tecnico.

Le informazioni relative alla quasi-macchina saranno consegnate su richiesta motivata e specificata dalle autorità nazionali.

L'apparecchiatura non deve essere utilizzata finché il sistema di porte automatiche installato non sia stato dichiarato conforme alla direttiva macchine 2006/42/EC.

Il marchio CE è stato applicato in origine il 2020-03-17.

Compilazione della documentazione tecnica applicabile ai requisiti essenziali di salute e sicurezza:

Matteo Fino  
Business Area PGA  
Ditec S.p.A.

Largo U. Bocconi, 1 - 21040 Origgio (VA) - Italy.

Firmato a nome e per conto di ASSA ABLOY Entrance Systems AB da:

Luogo  
Origgio

Data  
2021-11-11

Firma  
Matteo Fino

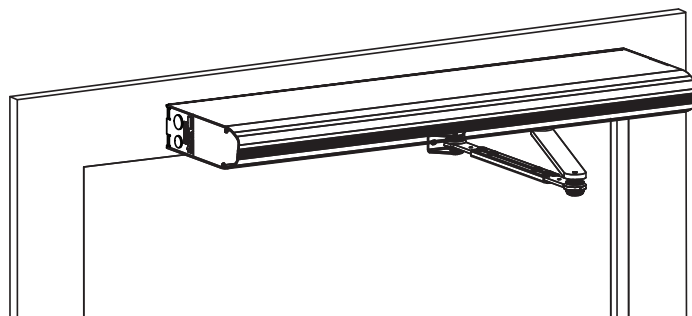
Posizione  
President B.A. PGA





# Opérateur de portes battantes Ditec DAB305

## Manuel d'utilisation



Traduction des instructions du fabricant

# CONTENU

Présentation des remarques et signaux d'avertissement .....	33
<b>AVERTISSEMENT : Consignes de sécurité importantes. Pour la sécurité des personnes, il est important de respecter ces instructions. Conservez ces instructions. ....</b>	<b>33</b>
Félicitations pour votre nouvelle porte .....	36
Interférences avec du matériel électronique .....	36
Exigences en matière d'environnement .....	36
Responsabilités liées au produit .....	36
Maintenance par l'utilisateur .....	37
Utilisation prévue .....	37
Spécifications techniques .....	37
Comment fonctionne Ditec DAB305 .....	38
Contrôles réguliers des sécurités .....	39
Accessoires .....	42
Accessoires de sécurité .....	42
Dépannage .....	42
Les autres produits de Ditec .....	42
Déclaration d'incorporation .....	43



## Présentation des remarques et signaux d'avertissement

Différents symboles et textes sont utilisés dans ce manuel pour faciliter la compréhension et l'identification.

**Remarque:** Lorsque vous voyez **Remarque !**, celle-ci contient des conseils et des informations utiles pour garantir une utilisation correcte et conforme du système.



Situation potentiellement dangereuse pouvant entraîner des blessures mineures ou graves, voire mortelles, et causer des dommages matériels mineurs ou substantiels.



Situation potentiellement dangereuse pouvant entraîner un risque d'électrocution et provoquer des blessures graves voire mortelles.

**AVERTISSEMENT :** Consignes de sécurité importantes.  
Pour la sécurité des personnes, il est important de respecter ces instructions. Conservez ces instructions.



- Le non respect des informations contenues dans ce manuel peut entraîner des blessures ou des dommages à l'équipement.
- Pour réduire le risque de blessures aux personnes, utiliser cet opérateur uniquement avec des portes battantes ou pliantes, simples ou doubles.
- L'alimentation secteur doit être installée avec une protection et un interrupteur omnipolaire avec une capacité d'isolation de catégorie III, doit être installé conformément aux réglementations locales.

- Vérifiez fréquemment l'installation pour détecter tout déséquilibre, le cas échéant, et tout signe d'usure ou de détérioration des câbles, des ressorts et des fixations. Ne pas utiliser la porte si des réparations ou réglages s'avèrent nécessaires.
- Ne pas utiliser l'équipement si des réparations ou des réglages s'avèrent nécessaires.
- **AVERTISSEMENT** : l'unité d'entraînement doit être déconnectée de sa source d'alimentation pendant le nettoyage, la maintenance et le remplacement de pièces.
- L'opérateur peut être utilisé par des enfants de plus de 8 ans s'ils ont reçu des instructions, par une personne en charge de la sécurité, sur l'utilisation sûre de l'appareil et s'ils ont conscience des risques inhérents.
- L'opérateur peut être utilisé par des enfants de 8 ans ou moins à condition qu'ils soient surveillés par une personne chargée de leur sécurité.
- L'opérateur peut être utilisé par des personnes en situation de handicap physique, mental ou sensoriel si elles ont reçu des instructions, par une personne en charge de la sécurité, sur l'utilisation sûre de la machine, et si elles ont conscience des risques inhérents.
- Le nettoyage et la maintenance utilisateur ne doivent pas être réalisés par des enfants.
- Ne laissez pas les enfants ou quiconque grimper ou jouer avec la porte ou les commandes fixes/télécommandées.
- La porte peut être actionnée automatiquement par le biais de détecteurs ou manuellement, grâce à des activateurs. Elle peut aussi servir de ferme-porte.

- Ne vous précipitez pas à travers une porte qui se ferme
- Cet appareil peut contenir des batteries qui ne peuvent être remplacées que par des personnes qualifiées.
  - La batterie doit être retirée de l'appareil avant sa mise au rebut.
  - L'appareil doit être déconnecté de l'alimentation secteur lors du retrait de la batterie.
  - La batterie doit être mise au rebut en toute sécurité.
- Assurez-vous que les commandes pouvant être réglées en position verrouillée ne sont activées que lorsqu'il n'y a aucune autre personne dans la pièce.

## Félicitations pour votre nouvelle porte

ASSA ABLOY Entrance Systems ABconçoit des portes automatiques depuis plus de 50 ans. Une technologie de pointe associée à des matériaux et des composants soigneusement testés nous permet de vous proposer un produit de première qualité.

Comme pour tous les autres produits techniques, votre porte automatique a besoin de maintenance périodique et d'entretien. Il est essentiel pour vous de connaître votre porte automatique (système) et d'être conscient de l'importance d'en assurer la conformité aux normes de sécurité applicables. Votre représentant Ditec local agréé connaît ces normes, ainsi que tous les codes locaux applicables et les recommandations Ditec à l'égard des portes automatiques pour piétons. L'entretien et les réglages réalisés par votre représentant Ditec assureront un fonctionnement sûr et adéquat de votre porte automatique.

## Interférences avec du matériel électronique

Les équipements peuvent utiliser et générer des émissions radio. Dans le cas où un matériel n'est pas installé ou utilisé selon des règles précises, il peut causer des interférences sur les réceptions de radio, de télévision ou autres systèmes à fréquences radio.

Si un autre équipement ne respecte pas pleinement les exigences d'immunité, des interférences peuvent se produire.

Il n'y a jamais de garantie qu'une installation particulière ne soit pas sensible à une interférence. Dans le cas où cet équipement viendrait à causer une interférence sur un poste de radio ou de télévision, laquelle serait clairement établie notamment en mettant l'équipement hors tension puis sous tension, l'utilisateur est encouragé à essayer de corriger le réglage en appliquant l'une après l'autre les mesures suivantes :

- Modifier l'orientation de l'antenne.
- Modifier l'emplacement du récepteur par rapport à l'équipement.
- Eloigner le récepteur de l'équipement.
- Brancher le récepteur à d'autres endroits pour que l'équipement et le récepteur soient sur différents circuits de branchement.
- Vérifier que le câble de terre est raccordé.

Si nécessaire, l'utilisateur consultera un technicien expérimenté en électronique pour d'autres suggestions.

## Exigences en matière d'environnement

Les produits Ditec sont équipés de composants électroniques et peuvent également être équipés de batteries contenant des matériaux dangereux pour l'environnement. Débranchez l'alimentation avant de déposer les composants électronique et la batterie et veillez à ce qu'elle soit mise au rebut conformément aux réglementations locales (méthode et lieu) comme cela a été fait avec le matériel d'emballage.

## Responsabilités liées au produit

Les réglementations prescrivent les responsabilités suivantes pour toute personne détenant ou manipulant ces équipements :

- l'équipement doit fonctionner correctement pour assurer une protection suffisante en matière de sécurité et de santé ;
- l'équipement doit être mis en fonctionnement et régulièrement entretenu et inspecté par une personne ayant la connaissance de l'équipement et des réglementations applicables ;
- que les documents « Carnet d'entretien » et « Test d'acceptation de site et évaluation des risques » sont maintenus à disposition pour la maintenance et les entretiens
- l'inspection doit couvrir la fonction d'ouverture d'urgence (le cas échéant) ;

- la force de fermeture doit être adaptée à la taille de la porte sur les systèmes porte coupe-feu (le cas échéant).

## Maintenance par l'utilisateur

Des inspections doivent être réalisées régulièrement par une personne formée et qualifiée. La fréquence de ces inspections devrait respecter les réglementations nationales (ou la norme en vigueur dans le secteur en l'absence de réglementations nationales). Cela revêt une importance particulière lorsque l'installation concerne une porte coupe-feu ou une porte en issue de secours. Pour prolonger la durée de vie de votre investissement et garantir un fonctionnement sûr et fiable de la porte, nous recommandons un minimum de 2 visites par an, voire plus, en fonction des conditions d'utilisation et d'exploitation. Les aspects environnementaux doivent également être pris en compte.

Adressez-vous à votre représentant Ditec pour en savoir plus sur nos offres de service.

## Utilisation prévue

L'opérateur de porte battante automatique Ditec DAB305 est développé pour faciliter les entrées aux bâtiments et à l'intérieur des bâtiments par des portes battantes. Le Ditec DAB305 est un opérateur électromécanique approuvé pour les applications de porte coupe-feu. Il doit être installé à l'intérieur et convient à presque tous les types de portes battantes extérieures et intérieures. Cet opérateur, largement utilisé, peut être utilisé dans des applications allant des accès pour handicapés dans les domiciles privés jusqu'aux trafic intense de la grande distribution.

La porte, conçue pour assurer un fonctionnement constant, une sécurité élevée et une durée de vie optimale. Le système s'adapte automatiquement aux effets dus aux variations météorologiques normales et aux variations mineures de frottement causées par exemple par la poussière et la saleté. Pour une sortie dans les cas d'urgence, la porte est ouverte manuellement. Elle peut également être ouverte à l'aide d'un moteur dans certaines circonstances.

Pour en savoir plus sur l'installation et la maintenance, voir le Manuel d'installation et d'entretien 1020527.

Conservez ces instructions afin de les consulter à l'avenir.

## Spécifications techniques

Fabricant :	ASSA ABLOY Entrance Systems AB
Adresse :	Lodjursgatan 10, SE-261 44 Landskrona, Sweden
Type :	Ditec DAB305
Mains power supply:	100-240 V CA +10/-15 %, 50/60 Hz
Puissance absorbée :	300 W maxi.
Indice de protection :	IP20
Pression sonore :	$L_{pa} \leq 70 \text{ dB}(A)$
Approbations :	Des organismes de certification ont validé la sûreté d'utilisation, voir Déclaration d'incorporation.

## Comment fonctionne Ditec DAB305





L'opérateur de portes Ditec DAB305 battantes utilise un moteur à courant continu et un réducteur pour actionner un bras d'entraînement qui ouvre la porte. La fermeture est assurée par l'action d'un moteur et d'un ressort. Une carte de commande électronique ultra sophistiquée utilise un encodeur moteur et un microprocesseur pour contrôler les mouvements de la porte.

Pour activer l'opérateur, vous pouvez utiliser une télécommande manuelle (contact à coude) ou une télécommande automatique (radar). Il est également possible, lorsque les normes le permettent, d'activer l'opérateur en poussant tout simplement la porte, quand la fonction « Push and Go » est sélectionnée.

Une fois la porte activée, elle s'ouvrira et restera ouverte conformément à la temporisation définie. Lorsque la temporisation s'est écoulée, la porte se referme.

Le Ditec DAB305 peut être configuré selon trois ou quatre modes différents en fonction du type de sélecteur de programme, voir tableau ci-dessous.

En mode totalement manuel (ou en cas de coupure de courant) le Ditec DAB305 agit comme un ferme-porte normal.

Poste	Fonction
 AUTO Position normale	La porte peut être ouverte à l'aide de télécommandes manuelle et/ou automatique intérieures et extérieures. La gâche électrique, si installée, est ouverte.
 OFF	La porte est fermée. La porte ne s'ouvre pas par les télécommandes intérieures et extérieures. Si un dispositif de verrouillage électromécanique a été installé, la porte est verrouillée. La porte peut s'ouvrir par un contact à clé (si installé).
 OUVERTE	La porte est maintenue ouverte en permanence par le moteur.
 SORTIE SEULE	Seul le passage de l'intérieur vers l'extérieur est autorisé. Si un dispositif de verrouillage électromécanique a été installé, la porte est normalement verrouillée. La porte ne peut s'ouvrir que par une télécommande intérieure ou un contact à clé (si installé).

# Contrôles réguliers des sécurités

Pour contribuer au respect des exigences nationales et internationales et éviter tout dysfonctionnement et risque de blessures, nous avons établi la liste de vérification suivante.





Ne pas utiliser l'opérateur si des réparations ou réglages sont nécessaires.



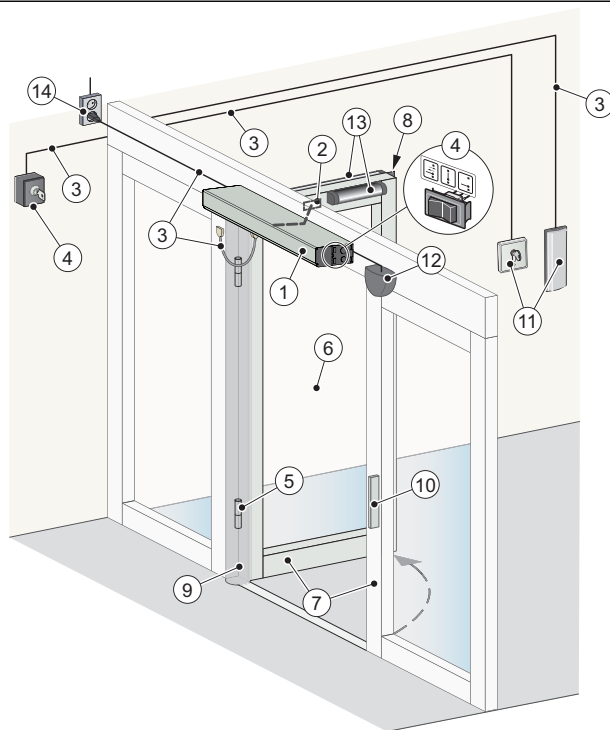
Débrancher l'alimentation secteur<sup>(14)</sup> pendant les opérations de nettoyage ou autres opérations de maintenance.

Action quotidienne		En cas de problème
Activer votre opérateur et vérifier <i>visuellement</i> , la fixation et tout dommage de <ul style="list-style-type: none"> <li>opérateur<sup>(1)</sup></li> <li>bras d'entraînement<sup>(2)</sup></li> <li>du câblage<sup>(3)</sup></li> <li>Interrupteur de commande<sup>(4)</sup></li> <li>des charnières<sup>(5)</sup></li> <li>de la porte et de la vitre<sup>(6)</sup></li> </ul>		
Inspecter également l'opérateur et vérifier <i>visuellement</i> <ul style="list-style-type: none"> <li>les bords tranchants du ventail et de l'encadrement de porte (le cas échéant)<sup>(7)</sup></li> <li>l'état des joints d'étanchéité de la porte<sup>(8)</sup></li> <li>la protection anti pince-doigt<sup>(9)</sup></li> <li>et, pour finir, vérifier que l'ensemble de la porte fonctionne correctement et se referme lentement et doucement</li> </ul>		 
Régler le sélecteur de mode (ARRÊT) OFF et vérifier que l'opérateur et le verrouillage électromécanique (le cas échéant) fonctionnent ensemble. Vérifier également que le <sup>(10)</sup> verrouillage sécurise bien la porte.		
Activer les télécommandes manuelles <sup>(11)</sup> s'il y en a et passer à travers la porte. Vérifier que la porte s'est correctement ouverte lors du passage dans un sens et dans l'autre. Ensuite, faire de même avec les télécommandes automatiques <sup>(12)</sup> .		
Vérifier les détecteurs de sécurité <sup>(13)</sup> si présents, en se positionnant sur le passage de la porte battante et en activant l'opérateur. La porte ne doit pas heurter la personne qui la traverse ni à l'ouverture ni à la fermeture. En cas de doute sur le type de détecteur, contacter votre représentant Ditec.		
Portes dans les portes de secours	De façon réglementaire, ces tests doivent être réalisés régulièrement par un personnel qualifié.	Régler le sélecteur de programme sur le mode AUTO. Pousser la porte manuellement dans la direction de la sortie et s'assurer qu'aucun objet ou fonction n'entrave l'ouverture de la porte. S'assurer également que la voie de sortie est libre.
Portes coupe-feu		

 = Prendre les mesures appropriées.

 = Contacter votre représentant Ditec.

## FONCTIONNEMENT ET INSPECTION VISUELLE



## NETTOYAGE

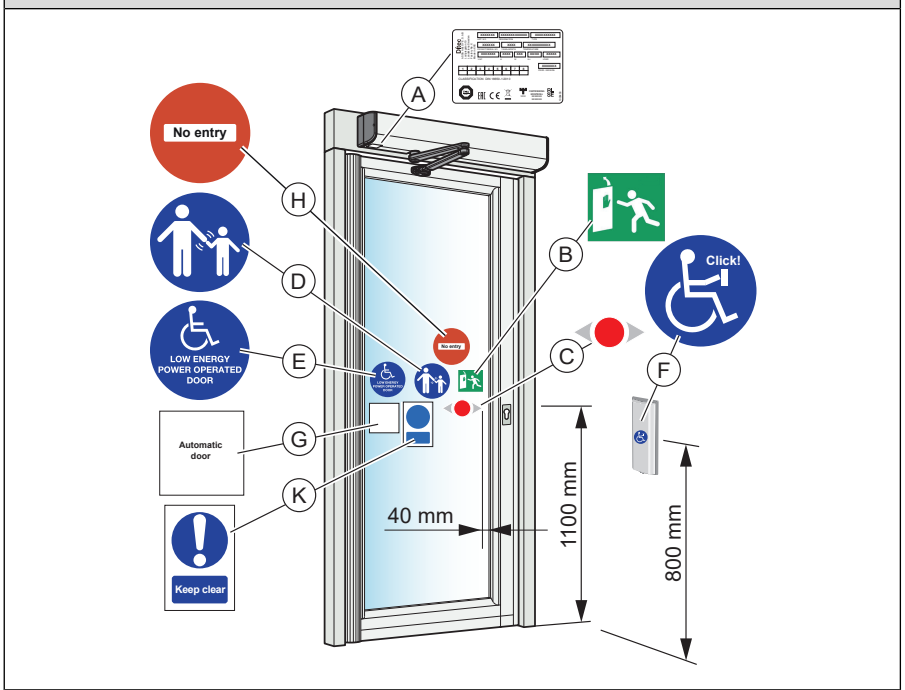
Pour enlever la poussière et les saletés du Ditec DAB305, nous recommandons d'utiliser de l'eau sur un chiffon doux ou une éponge.

Un détergent doux peut être utilisé. Pour préserver la qualité du traitement de surface, les surfaces doivent être nettoyées une fois tous les quatre mois. Il convient de noter la date de chaque nettoyage. Afin d'éviter d'abîmer les profilés, les brosses/le calfeutrement doivent être nettoyés à l'aspirateur une fois par semaine

- Ne pas exposer vitrages, vantaux ou profils aux produits alcalins. L'aluminium et le verre sont sensibles aux produits alcalins.
- Ne pas utiliser d'eau à haute pression pour le nettoyage. L'opérateur, le sélecteur de mode et les capteurs risquent d'être endommagés et l'eau risque de pénétrer dans les profils.
- Ne pas utiliser de détergent abrasif.
- Ne pas frotter avec des produits abrasifs, cela cause des détériorations mécaniques.



## SIGNALISATION



Action		En cas de problème
Vérifier que la signalisation requise est en place et intacte. « Obligatoire » indique que la signalisation est imposée par des directives européennes ou par une législation nationale équivalente hors Union européenne.		
(A)	Etiquette du produit : Obligatoire	
(B)	Evacuation d'urgence : obligatoire, en cas d'approbation pour une issue de secours.	
(C)	Autocolante da porta. Obrigatório, se aplicável, para destacar a presença de vidro (aplicado em todas as secções de vidro em movimento).	
(D)	Supervision des enfants (apposé des deux côtés de la porte) : Obligatoire conformément à la réglementation nationale. Recommandé, si l'analyse des risques montre une utilisation par des enfants.	
(E)	Opérateur conçu pour des personnes handicapées : recommandé, si applicable (apposé des deux côtés de la porte)	
(F)	Activation par des personnes handicapées : Recommandé, le cas échéant	
(G)	Porta automática. Obrigatório apenas no RU.	
(H)	Pas d'entrée, identifiant la circulation en sens unique : Obligatoire au Royaume-Uni, si applicable, non inclus dans le produit.	
(I)	Manter livre. Obrigatório apenas no RU.	

= Contacter votre représentant service Ditec.

## Accessoires

Votre Ditec DAB305 peut être aussi amélioré grâce aux accessoires suivants (contacter votre revendeur Ditec local pour obtenir une description détaillée).

- Interrupteur de commande ④, voir page 40
- Verrouillage électrique ⑩, voir page 40
- Contact à clé ⑪, voir page 40
- Contact à coude ⑪, voir page 40
- Radar ⑫, voir page 40
- Télécommande sans fil (non illustrée)
- Contrôle d'accès (non illustré)
- Butée de porte (non illustrée)

## Accessoires de sécurité

Bien que le Ditec DAB305 soit installé de façon à répondre à toutes les réglementations applicables en matière de sécurité, il est possible d'améliorer la sécurité / confort à l'aide des accessoires suivants (contacter votre revendeur ASSA ABLOY Entrance Systems local pour obtenir une description détaillée).

- Détecteurs de sécurité ⑬, voir page 40.
- Protection des doigts ⑨, voir page 40.

## Dépannage

Qu'est-ce qui ne va pas ?	Solutions
<b>La porte ne s'ouvre pas.</b>	
Le moteur ne démarre pas	Changer le réglage du sélecteur de mode. (Voir page 38).
	Vérifier qu'aucun objet ne se trouve dans la zone de détection, si un détecteur est installé.
	Vérifier l'alimentation secteur et le fusible dans le bâtiment.
<b>Le moteur démarre mais la ou les portes ne s'ouvrent pas</b>	Déverrouiller les serrures mécaniques.
	Contrôler que rien n'est coincé sous la porte.
<b>La porte ne se ferme pas.</b>	Changer le réglage du sélecteur de mode. (Voir page 38).
	Vérifier qu'aucun objet ne se trouve dans la zone de détection, si un détecteur est installé.
	Contrôler que rien n'est coincé sous la porte.
La porte s'ouvre et se re-ferme constamment	S'assurer qu'il n'y a pas d'objets en mouvement à une distance comprise entre 1 et 1,5 m de la porte si une télécommande automatique est installée.
<b>Si le problème persiste, contactez votre représentant Ditec.</b>	

## Les autres produits de Ditec

- Systèmes de porte
- Portes coulissantes
- Télécommandes automatiques et manuelles

## Déclaration d'incorporation

Nous

ASSA ABLOY Entrance Systems AB  
Lodjursgatan 10  
SE-261 44 Landskrona  
Sweden

FR

déclarons, sous notre seule responsabilité que les équipements de type:  
**Ditec DAB305 Swing door operator**

sont conformes aux directives suivantes :

**2014/30/CE Directive de compatibilité électromagnétique (CEM)**

**2006/42/CE Directive machines (DM) aux exigences essentielles de santé et de sécurité suivantes :**

1.1.2, 1.1.3, 1.2.1, 1.2.2, 1.2.3, 1.2.4.2, 1.2.6, 1.3.9, 1.4.3, 1.5.1, 1.5.2, 1.5.11, 1.7.2, 1.7.4, 1.7.4.1, 1.7.4.2. Une documentation technique pour une intégration sûre est fournie.

**2011/65/UE relative à la limitation de l'utilisation de certaines substances dangereuses dans les équipements électriques et électroniques ainsi que les amendements applicables (RoHS)**

Normes européennes harmonisées appliquées:

EN 60335-2-103:2015

EN 61000-6-2:2005

EN 61000-6-3:2007+A1:2011

EN ISO 13849-1:2015

EN 16005:2012/AC:2015

EN 60335-1:2012/AC:2014+A11:2014+A13:2017  
+A1:2019+A14:2019+A2:2019

Autres normes ou spécifications techniques appliquées:

BBR

BVL

DIN 18263-4:1997

IEC 60335-1:2010 ed. 5

IEC 60335-2-103:2002 ed. 1/2011 ed. 2.1

EN 1158:1997+A1:2002+AC:2006

EN 1634-1:2008

Certificat émis par un organisme notifié ou compétent pour les équipements :

RISE C900020

La documentation technique pertinente a été compilée conformément à l'annexe VII, section B, de la directive 2006/42/CE.

Le processus de fabrication garantit la conformité des équipements aux spécifications techniques.

Les informations pertinentes sur la machine partiellement terminée seront transmises sur demande motivée et spécifique des autorités nationales.

L'équipement ne doit pas être utilisé avant que le système de porte automatique installé ait été déclaré conforme à la directive machine 2006/42/CE.

Le marquage CE a été obtenu pour la première fois le 2020-03-17.

Compilation de la documentation technique applicable aux exigences essentielles de santé et de sécurité listées :

Matteo Fino

Business Area PGA

Ditec S.p.A.

Largo U. Boccioni, 1 - 21040 Origgio (VA) - Italy.

Signé pour et au nom d'ASSA ABLOY Entrance Systems AB par:

à  
Origgio

Date  
2021-11-11

Signature  
Matteo Fino

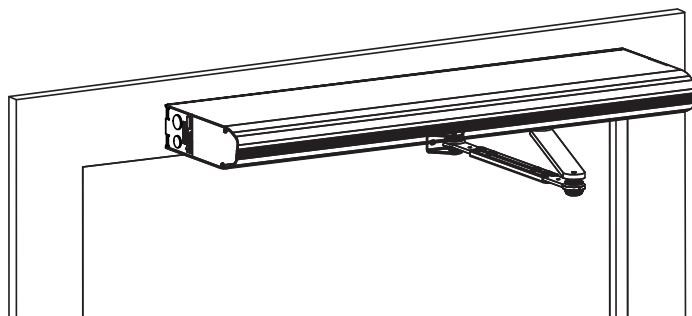
Poste  
President B.A. PGA





# Drehtürantrieb Ditec DAB305

## Bedienungsanleitung



Übersetzung der Originalbetriebsanleitung

# INHALTE

Darstellung von Hinweisen und Warnzeichen .....	47
WARNUNG: Wichtige Sicherheitshinweise. Um Personenschäden zu vermeiden, müssen diese Anweisungen befolgt werden. Bewahren Sie diese Anleitung auf. ....	47
Herzlichen Glückwunsch zu Ihrer neuen Automatiktür! .....	50
Störung des Empfangs elektronischer Geräte .....	50
Umweltschutzanforderungen .....	50
Produkthaftung .....	50
Wartung .....	51
Vorgesehene Verwendung .....	51
Technische Daten .....	51
So funktioniert der Ditec DAB305 .....	52
Regelmäßige Sicherheitskontrollen .....	53
Allgemeines Zubehör .....	57
Sicherheitszubehör .....	57
Fehlersuche .....	57
Weitere Produkte von Ditec .....	57
Herstellererklärung .....	58

## Darstellung von Hinweisen und Warnzeichen

In diesem Handbuch werden verschiedene Symbole und Texte verwendet, um das Verständnis und die Identifizierung zu erleichtern.

**Hinweis:** Wenn Sie **Hinweis!** sehen, enthält dieser nützliche Ratschläge und Informationen, um die korrekte und vorschriftsmäßige Verwendung des Systems sicherzustellen.



Potenzielle Gefahrensituation, die entweder zu leichten oder schweren Verletzungen oder zum Tod führen und entweder geringfügige oder erhebliche Sachschäden verursachen kann.



Potenzielle Gefahrensituation, die zu Stromschlaggefahr und schweren Verletzungen oder Tod führen kann.

**WARNUNG:** Wichtige Sicherheitshinweise. Um Personenschäden zu vermeiden, müssen diese Anweisungen befolgt werden. Bewahren Sie diese Anleitung auf.



- Ein Nichtbeachten der in diesem Handbuch zur Verfügung gestellten Informationen kann zu Verletzungen oder einer Beschädigung der Ausrüstung führen.
- Um das Verletzungsrisiko für Personen zu vermindern, verwenden Sie diesen Antrieb bitte ausschließlich für Drehflügel- oder Falttüren.
- Die Netzstromversorgung muss mit Schutzeinrichtungen und einem allpoligen Hauptschalter der Schutzklasse III gemäß den örtlichen Vorschriften installiert werden.

- Untersuchen Sie die Anlage ggf. häufig auf Ungleichgewicht und Anzeichen von Verschleiß oder Schäden an Kabeln, Federn und Befestigungselementen. Nicht verwenden, wenn eine Reparatur oder Einstellung nötig ist.
- Die Vorrichtung nicht verwenden, wenn eine Reparatur oder Einstellung nötig ist.
- **WARNUNG:** Der Antrieb muss während Reinigungs- und Wartungsarbeiten sowie beim Austausch von Teilen von seiner Stromquelle getrennt werden.
- Der Antrieb kann von Kindern über 8 Jahren benutzt werden, wenn sie durch eine für ihre Sicherheit zuständige Person hinsichtlich der sicheren Verwendung der Anlage unterwiesen wurden und sich der damit verbundenen Gefahren in vollem Umfang bewusst sind.
- Der Türantrieb kann von 8 Jahre alten und jüngeren Kindern bedient werden, sofern diese von der für ihre Sicherheit zuständigen Person unterrichtet worden sind.
- Der Antrieb kann von Personen mit Behinderungen körperlicher, sensorischer oder mentaler Natur benutzt werden, wenn sie durch eine für ihre Sicherheit zuständige Person hinsichtlich der sicheren Verwendung der Anlage unterwiesen wurden und sich der damit verbundenen Gefahren in vollem Umfang bewusst sind.
- Reinigung und benutzerseitige Wartung dürfen nicht von Kindern durchgeführt werden.
- Lassen Sie keine Kinder oder andere Personen auf die Tür klettern oder mit den fest installierten bzw. Fernbedienungseinrichtungen spielen.



- Die Türanlage kann automatisch durch Sensoren oder manuell durch Impulsgeber betätigt werden. Er kann auch als manueller Türschließer genutzt werden.
- Gehen Sie nicht in eine sich schließende Tür.
- Diese Anlage kann Batterien enthalten, die nur durch fachlich qualifizierte Personen ausgetauscht werden dürfen.
  - Die Batterie muss aus der Anlage entnommen werden, bevor die Anlage entsorgt wird.
  - Die Anlage muss während des Ausbaus der Batterie von dem Versorgungsnetz getrennt sein.
  - Die Batterie muss sachgerecht entsorgt werden.
- Sorgen Sie dafür, dass Bedienelemente, welche die Türe auf eine verriegelte Position einstellen können, nur aktiviert werden, wenn sich keine weiteren Personen in dem Raum befinden.

# Herzlichen Glückwunsch zu Ihrer neuen Automatiktür!

ASSA ABLOY Entrance Systems AB entwickelt seit mehr als 50 Jahren Automatiktüren. Sie haben ein erstklassiges Produkt erworben, das auf modernster Technologie basiert und aus sorgfältig geprüften Materialien und Bauteilen hergestellt wurde.

Wie jedes technische Produkt benötigen auch automatische Türen regelmäßige Wartung und Pflege. Für eine problemlose Verwendung des Produkts ist es unabdingbar, sich mit der Funktionsweise der automatischen Tür bzw. des automatischen Türsystems vertraut zu machen und für eine regelmäßige Wartung gemäß den gültigen Sicherheitsnormen zu sorgen.

Ihr autorisierter Ditec-Verkaufsberater vor Ort ist mit diesen Normen sowie mit allen gültigen örtlichen Codes und Ditec-Empfehlungen für Personentüren mit motorischen Antrieben vertraut. Die Durchführung von Service- und Einstellarbeiten durch die autorisierte Ditec-Vertretung stellt einen sicheren und ordnungsgemäßen Betrieb der Automatiktür sicher.

## Störung des Empfangs elektronischer Geräte

Diese Ausstattung erzeugt und verwendet möglicherweise hochfrequente Energie (im Radiofrequenzband) und kann bei unkorrekter Montage oder Verwendung eine Störung des Rundfunk- und Fernsehempfangs oder anderer Hochfrequenzanlagen verursachen.

Wenn andere Geräte nicht in vollem Umfang die Richtlinien für Störfestigkeit erfüllen, können Störungen auftreten.

Es kann nicht garantiert werden, dass bei einzelnen Montagen keine Störungen auftreten. Sollte das System eine Störung des Radio- und Fernsehempfangs verursachen, was durch Aus- und Einschalten des Antriebes festgestellt werden kann, wird der Benutzer aufgefordert zu versuchen, die Störung durch eine oder mehrere der folgenden Maßnahmen zu beheben:

- Die Empfangsantenne neu ausrichten.
- Die Position des Empfangsgeräts zum Antrieb ändern.
- Das Empfangsgerät weiter vom Antrieb weg positionieren.
- Den Empfänger auf einen anderen Stromkreis legen, so dass der Antrieb und das Empfangsgerät an unterschiedliche Stromkreise angeschlossen sind.
- Überprüfen, ob die Erdungsleitung (PE) angeschlossen ist.

Falls erforderlich, sollte sich der Benutzer für weitere Vorschläge an den Händler oder einen erfahrenen Elektrotechniker wenden.

## Umweltschutzanforderungen

Ditec Produkte sind mit Elektronik ausgestattet und möglicherweise auch mit Batterien versehen, die umweltschädliche Materialien enthalten können. Trennen Sie die Stromversorgung, bevor Sie Elektronik und Batterien entfernen, und sorgen Sie wie beim Verpackungsmaterial für eine ordnungsgemäße Entsorgung gemäß den örtlichen Bestimmungen (Entsorgungsart und -ort).

## Produkthaftung

Gemäß Richtlinien ist der Eigentümer bzw. Betreiber der Ausrüstung für folgende Punkte verantwortlich:

- Er hat dafür Sorge zu tragen, dass die Ausrüstung ordnungsgemäß funktioniert, damit ein sicherer Betrieb gewährleistet ist und kein Risiko für Personen besteht.
- Er hat dafür Sorge zu tragen, dass die Ausrüstung von einer Person betrieben, gewartet und regelmäßig kontrolliert wird, die nachweislich dazu befähigt ist und mit den gültigen Bestimmungen vertraut ist.
- dass die mitgelieferten Dokumente „Service Log Book“ (Serviceprotokollheft) und „Abnahmetest am Montageort und Risikobewertung“ für die Wartungs- und Servicedokumentation verfügbar gehalten werden

- Er hat dafür Sorge zu tragen, dass bei der Kontrolle die Notöffnungsfunktion (falls vorhanden) überprüft wird.
- dass bei Bandschutzschiebetüren (falls zutreffend) die Schließkraft für die Türgröße geeignet ist.

## Wartung

Inspektionen sollten regelmäßig durch geschultes und qualifiziertes Personal erfolgen. Die Häufigkeit dieser Inspektionen richtet sich nach den nationalen Bestimmungen (oder nach dem Industriestandard, wenn es keine nationalen Bestimmungen gibt). Dies gilt besonders für Installationen in Verbindung mit Brandschutztüren oder Türen mit einer Notöffnungsfunktion. Um die Lebensdauer Ihrer Investition zu verlängern und einen sicheren und zuverlässigen Betrieb der Tür sicherzustellen, empfehlen wir abhängig von der Nutzungsintensität und den Betriebsbedingungen mindestens 2 Inspektionen pro Jahr. Umweltaspekte müssen ebenfalls berücksichtigt werden.

Wenden Sie sich an Ihre Ditec -Vertretung, um mehr über unser Serviceangebot zu erfahren.

## Vorgesehene Verwendung

Der Ditec DAB305 ist ein Antrieb für automatische Drehflügeltüren, der den Zugang zu Gebäuden und innerhalb von Gebäuden durch Drehflügeltüren erleichtern soll. Der Ditec DAB305 ist ein elektromechanischer Antrieb mit Zulassung für Feuerschutztüren. Er darf nur in Innenräumen montiert werden und eignet sich für nahezu alle Arten von Außen- und Innentüren mit Drehflügel. Dieser weit verbreitete Antrieb eignet sich für Anwendungen, von barrierefreien Zugängen in Privathäusern bis hin zu hochfrequentierten Kaufhäusern.

Die Tür wurde für eine ununterbrochene Verwendung, einen hohen Sicherheitsgrad und eine maximale Lebensdauer konstruiert. Das System gleicht die Einflüsse durch normale Wetterschwankungen und kleinere Reibungsveränderungen, z. B. durch Staub und Schmutz, selbst aus.

Als Fluchtweg in Notsituationen wird die Tür manuell geöffnet, kann aber unter bestimmten Umständen auch mit Hilfe eines Motors geöffnet werden.

Für Montage und Wartung siehe Montage- und Servicehandbuch 1020527.

Bewahren Sie diese Anleitung auf, um später wieder darin nachschlagen zu können.

## Technische Daten

Hersteller:	ASSA ABLOY Entrance Systems AB
Adresse:	Lodjursgatan 10, SE-261 44 Landskrona, Sweden
Typ:	Ditec DAB305
Netzanschluss:	100 - 240 V AC +10/-15 %, 50/60 Hz
Stromverbrauch:	Max. 300 W
Schutzart:	IP20
Geräuschentwicklung:	$L_{pa} \leq 70 \text{ dB}(A)$
Freigaben:	Freigabe durch anerkannte Zertifizierungsstelle, gültig für die Sicherheit in der Verwendung und die Fluchtwegsicherheit, siehe Einbauerklärung.

## So funktioniert der Ditec DAB305





Der Drehflügelantrieb Ditec DAB305 treibt mittels DC-Motor und Untersetzungsgetriebe ein Armsystem an, welches die Tür öffnet. Die Schließkraft wird durch einen Motor und eine Schließfeder ausgeübt. Die Türbewegung wird über eine hochentwickelte elektronische Steuereinheit mit Motorcodierer und Mikroprozessor gesteuert.

Die Aktivierung des Antriebs erfolgt entweder über einen manuellen Impulsgeber (Ellbogentaster) oder einen automatischen Impulsgeber (Radarvorrichtung). Außerdem ist – sofern örtliche Normen dies zulassen – auch ein Aktivieren des Antriebs durch Druck auf die Tür möglich. In diesem Fall muss eine Push-and-Go-Vorrichtung installiert sein.

Durch das Aktivieren der Tür wird diese geöffnet und bleibt für eine festgelegte Offenhaltezeit (HOT) offen. Nach Ablauf der Offenhaltezeit schließt sich die Tür.

Der Ditec DAB305 kann je nach Art des Programmschalters auf drei oder vier verschiedene Modi eingestellt werden, siehe Tabelle unten.

In fully manual use (or in case of a power failure) the Ditec DAB305 die Funktion eines normalen Türschließers.

	Position	Funktion
	AUTO Normale Position	Die Tür kann über die inneren und äußeren manuellen bzw. automatischen Impulsgeber geöffnet werden. Der Elektrotüröffner ist, falls vorhanden, geöffnet.
	AUS	Die Tür ist geschlossen. Die Tür kann nicht mit dem inneren und äußeren Impulsgeber geöffnet werden. Die Tür ist verriegelt, wenn eine elektromechanische Verriegelung angebracht wurde. Die Tür kann mit einem Schlüsseltaster geöffnet werden (wenn angebracht).
	OFFEN	Die Tür wird vom Motor permanent offen gehalten.
	AUSGANG	Durchgang nur von innen. Die Tür ist normalerweise verriegelt, wenn eine elektromechanische Verriegelung angebracht wurde. Die Tür kann nur mit dem inneren Impulsgeber und mit einem Schlüsseltaster geöffnet werden (wenn angebracht).

# Regelmäßige Sicherheitskontrollen







Damit die Anforderungen der nationalen/internationalen Richtlinien eingehalten werden können und um eine Fehlfunktion sowie ein Verletzungsrisiko auszuschließen, haben wir die folgende Checkliste erstellt.







Den Türantrieb nicht verwenden, wenn eine Reparatur oder Einstellung nötig ist.



Bei Reinigungs- oder Wartungsarbeiten von der <sup>14</sup>Hauptstromversorgung trennen.

Tägliche Nutzung	Bei Problemen
<p>Aktivieren Sie den Antrieb und überprüfen Sie mittels <i>Sichtkontrolle</i> die Befestigung und den einwandfreien Zustand von:</p> <ul style="list-style-type: none"> <li>Antrieb <sup>1</sup></li> <li>Armsystem <sup>2</sup></li> <li>Kabel <sup>3</sup></li> <li>Steuerschalter <sup>4</sup></li> <li>Scharniere <sup>5</sup></li> <li>Tür und Glas <sup>6</sup></li> </ul>	
<p>Kontrollieren Sie außerdem den Antrieb und führen Sie eine <i>Sichtkontrolle</i> auf folgende Punkte durch:</p> <ul style="list-style-type: none"> <li>scharfe Kanten am Türblatt oder am Türrahmen (falls vorhanden) <sup>7</sup></li> <li>Zustand der Türdichtungen <sup>8</sup></li> <li>Fingerschutz <sup>9</sup></li> <li>und schließlich auf einen ordnungsgemäßen Lauf der gesamten Tür und ein langsames und sanftes Schließen</li> </ul>	 
<p>Stellen Sie den Programmwahlschalter auf AUS und überprüfen Sie, ob der Antrieb und die elektromechanische Verriegelung (falls vorhanden) gemeinsam arbeiten. Überprüfen Sie auch, ob die Verriegelung <sup>10</sup> die Tür wirklich fest verriegelt.</p>	
<p>Aktivieren Sie die manuellen Impulsgeber <sup>11</sup>, falls vorhanden, und gehen Sie auf die Tür zu. Überprüfen Sie, während Sie durch den Eingang bzw. Ausgang gehen, ob die Tür weit genug geöffnet wurde.</p> <p>Führen Sie den Test dann auch bei den automatischen Impulsgebern <sup>12</sup> in gleicher Weise durch.</p>	
<p>Überprüfen Sie die Sicherheitssensoren <sup>13</sup>, falls vorhanden, indem Sie sich in den Drehflügelweg stellen und den Antrieb aktivieren. Die Tür darf Sie weder beim Öffnen noch beim Schließen berühren.</p> <p>Wenn Sie nicht sicher sind, welche Art von Sensor installiert ist, wenden Sie sich an Ihre Ditec-Vertretung.</p>	

DE

Tägliche Nutzung		Bei Problemen
Türen in Fluchttüren	Stellen Sie den Programmschalter in den Modus AUTO. Drücken Sie die Tür manuell in die Fluchtrichtung auf, und achten Sie darauf, dass keine Gegenstände und keine Funktion die Tür am Öffnen hindern. Stellen Sie außerdem sicher, dass der Fluchtweg frei begehbar ist.	 
Brand-schutz-türen	Lassen Sie die Tür sich nach einem Impuls schließen und achten Sie darauf, dass nichts die Tür am Schließen und Verriegeln (falls von den Vorschriften gefordert) hindert.	 
Die Durchführung dieser Tests in regelmäßigen Abständen und durch geschultes Personal ist gesetzlich vorgeschrieben.		

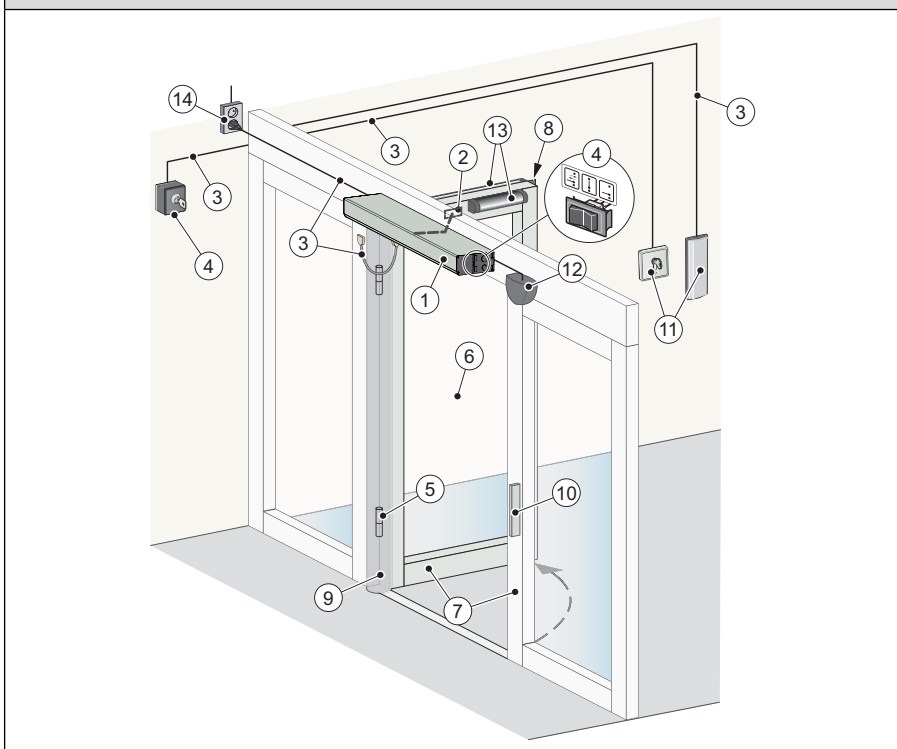


= Treffen Sie entsprechende Maßnahmen.



= Wenden Sie sich an Ihre Ditec-Vertretung.

### FUNKTIONS- UND SICHTKONTROLLE



## REINIGUNG


Staub und Schmutz am besten mit Wasser und einem weichen Tuch oder Schwamm von der Ditec DAB305 entfernen.

Es kann ein mildes Reinigungsmittel verwendet werden. Um die Qualität der behandelten Oberflächen zu erhalten, müssen die Oberflächen mindestens alle vier Monate gereinigt werden. Die Reinigungsvorgänge sollten protokolliert werden. Um Schäden an den Profilen zu vermeiden, müssen die Bürsten und alle Abdichtmaterialien wöchentlich mit einem Staubsauger gereinigt werden.

- Setzen Sie Fenster, Türen oder Profile keinen alkalischen Substanzen aus. Sowohl Glas als auch Aluminium sind empfindlich gegen alkalische Substanzen.
- Nicht mit Hochdruck-Wasserstrahl reinigen. Antrieb, Programmschalter und Sensor können beschädigt werden und Wasser könnte in die Profile eindringen.
- Keine Politur verwenden.
- Bürsten Sie nicht mit Materialien wie Topfreiniger-Schwämmen, weil dies zu mechanischen Schäden führt.

## SCHILDER



Aktion		Bei Problemen
Überprüfen Sie, ob alle nötigen Schilder angebracht und intakt sind. Der Vermerk "Obligatorisch" weist darauf hin, dass das Schild laut europäischen Richtlinien und gleichwertigen nationalen Gesetzen außerhalb der Europäischen Union vorgeschrieben ist.		
(A)	Produktetikett: Obligatorisch	
(B)	Panikbeschlagsystem: Verbindlich bei Zulassung für Fluchtwege.	
(C)	Türaufkleber. Obligatorisch, falls zutreffend, um das Glas kenntlich zu machen (an allen beweglichen Glasscheiben anzubringen).	
(D)	Kinder beaufsichtigen (an beiden Seiten der Tür anbringen): Gemäß nationaler Vorschriften Pflicht. Empfohlen, wenn die Risikoanalyse auf Benutzung durch Kinder hindeutet.	
(E)	Für Menschen mit Körperbehinderung entworfener Türantrieb: Empfohlen, falls zutreffend (Anbringung an beiden Seiten der Tür).	
(F)	Aktivierung durch Menschen mit Körperbehinderung: Empfohlen, wenn zutreffend.	
(G)	Automatische Tür. Nur in GB obligatorisch.	
(H)	Kein Eingang, zur Kennzeichnung von Einbahnverkehr: Obligatorisch in GB, falls zutreffend, nicht im Produkt enthalten.	
(I)	Frei halten. Nur in GB obligatorisch.	



= Wenden Sie sich an Ihre Ditec-Vertretung.



## Allgemeines Zubehör

Mit Hilfe der folgenden Zusatzausstattung kann der Ditec DAB305 weiter verbessert werden. (Eine detaillierte Beschreibung erhalten Sie bei Ihrem örtlichen Ditec-Händler.)

- Steuerschalter ④, [siehe Seite 54](#)
- Elektrische Verriegelung ⑩, [siehe Seite 54](#)
- Schlüsselschalter ⑪, [siehe Seite 54](#)
- Ellbogentaster ⑪, [siehe Seite 54](#)
- Radar ⑫, [siehe Seite 54](#)
- Kabellose Sender (nicht abgebildet)
- Zugangskontrolle (nicht abgebildet)
- Türanschlag (nicht abgebildet)

## Sicherheitszubehör

Obwohl die Installation des Ditec DAB305 allen gültigen Sicherheitsbestimmungen entspricht, kann die Sicherheit bzw. der Komfort mit Hilfe der folgenden Zusatzausstattung weiter erhöht werden. (Eine detaillierte Beschreibung erhalten Sie bei Ihrer örtlichen ASSA ABLOY Entrance Systems-Vertretung.)

- Sicherheitssensoren ⑬, [siehe Seite 54](#).
- Fingerschutz ⑨, [siehe Seite 54](#).

## Fehlersuche

Problem?	Maßnahmen
<b>Die Tür öffnet sich nicht</b>	
Der Motor startet nicht	Ändern Sie die Einstellung des Programmschalters. ( <a href="#">Siehe Seite 52</a> ). Stellen Sie sicher, dass sich keine Gegenstände in der Erfassungszone befinden, falls ein Sensor vorhanden ist. Überprüfen Sie den Netzanschluss und die Sicherung im Gebäude.
<b>Der Motor startet, aber die Tür(en) öffnet bzw. öffnen sich nicht.</b>	Entriegeln Sie die mechanischen Verriegelungen. Stellen Sie sicher, dass nichts unter der Tür eingeklemmt ist.
<b>Die Tür schließt sich nicht</b>	Ändern Sie die Einstellung des Programmschalters. ( <a href="#">Siehe Seite 52</a> ). Stellen Sie sicher, dass sich keine Gegenstände in der Erfassungszone befinden, falls ein Sensor vorhanden ist. Stellen Sie sicher, dass nichts unter der Tür eingeklemmt ist.
Die Tür öffnet und schließt sich unaufhörlich	Stellen Sie sicher, dass sich keine beweglichen Gegenstände in einer Entfernung von 1 bis 1,5 m von der Tür befinden, falls ein automatischer Impulsgeber eingebaut ist.
<b>Sollte das Problem weiterhin bestehen, wenden Sie sich an Ihre Ditec-Vertretung.</b>	

## Weitere Produkte von Ditec

- Türsysteme
- Schiebetüren
- Automatische und manuelle Impulsgeber

## Herstellereklärung

Hiermit erklären wir,  
**ASSA ABLOY Entrance Systems AB**  
**Lodjurgatan 10**  
**SE-261 44 Landskrona**  
**Sweden**

in alleiniger Verantwortung, dass das Produkt:  
**Ditec DAB305 Swing door operator**

den folgenden Richtlinien entspricht:

**Richtlinie über die elektromagnetische Verträglichkeit 2014/30/EG**  
**Maschinenrichtlinie 2006/42/EG** den folgenden grundlegenden Sicherheits- und Gesundheitsschutzanforderungen:  
**1.1.2, 1.1.3, 1.2.1, 1.2.2, 1.2.3, 1.2.4.2, 1.2.6, 1.3.9, 1.4.3, 1.5.1, 1.5.2, 1.5.11, 1.7.2, 1.7.4, 1.7.4.1, 1.7.4.2.** Technische Dokumentation für die sichere Integration wird bereitgestellt.  
**2011/65/EU** mit den anwendbaren Änderungen zur Beschränkung der Verwendung bestimmter Gefahrenstoffe bei elektrischen und elektronischen Geräten (RoHS)

Angewendete harmonisierte europäische Normen:

EN 60335-2-103:2015	EN 61000-6-2:2005
EN 61000-6-3:2007+A1:2011	EN ISO 13849-1:2015
EN 16005:2012/AC:2015	EN 60335-1:2012/AC:2014+A11:2014+A13:2017 +A1:2019+A14:2019+A2:2019

Weitere angewendete Normen oder technische Spezifikationen:

BBR	BVL
DIN 18263-4:1997	IEC 60335-1:2010 ed. 5
IEC 60335-2-103:2002 ed. 1/2011 ed. 2.1	EN 1158:1997+A1:2002+AC:2006
EN 1634-1:2008	

Von einer befugten bzw. zuständigen Stelle ausgestelltes Zertifikat bezüglich des Produkts:  
RISE C900020

Entsprechende technische Unterlagen wurden gemäß 2006/42/EG Anhang VII Abschnitt B erstellt.

Der Fertigungsprozess garantiert die Übereinstimmung des Produkts mit der technischen Akte.

Relevante Informationen über die unvollständige Maschine werden auf begründeten und spezifizierten Antrag der nationalen Behörden übergeben.

Das Produkt darf nicht betrieben werden, bis für das letztendlich eingebaute Automatiktürsystem die Konformität mit der Maschinenrichtlinie 2006/42/EG erklärt wurde.

Die CE-Kennzeichnung erfolgte erstmals 2020-03-17.

Zusammenstellung der technischen Dokumentation, soweit anwendbar auf die angeführten Sicherheits- und Gesundheitsschutzanforderungen:

Matteo Fino  
Business Area PGA  
Ditec S.p.A.  
Largo U. Boccioni, 1 - 21040 Origgio (VA) - Italy.  
Unterzeichnet für und im Auftrag von ASSA ABLOY Entrance Systems AB von:

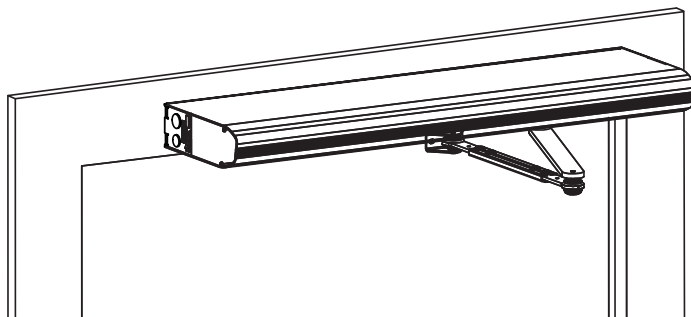
Ort	Datum	Unterschrift	Position
Origgio	2021-11-11	Matteo Fino	President B.A. PGA



# Mecanismo para puertas batientes Ditec DAB305

ES

## Manual del usuario



Traducción de las instrucciones originales

# CONTENIDO

Presentación de notas y señales de advertencia .....	61
ATENCIÓN: Instrucciones de seguridad importantes. Por su seguridad y la de otras personas, es importante seguir estas instrucciones. Conserve estas instrucciones. ....	61
Enhorabuena por su nueva puerta automática .....	64
Interferencias en la recepción de equipos electrónicos .....	64
Requisitos medioambientales .....	64
Fiabilidad de producto .....	64
Servicio .....	65
Uso previsto .....	65
Especificaciones técnicas .....	65
Funcionamiento del Ditec DAB305 .....	66
Comprobaciones regulares de seguridad .....	67
Accesorios generales .....	70
Accesorios de seguridad .....	70
Solución de problemas .....	70
Otros productos de Ditec .....	70
Declaración de incorporación .....	71

## Presentación de notas y señales de advertencia

En este manual se utilizan varios símbolos y textos para facilitar su comprensión e identificación.

**Nota:** Cuando vea **Nota**, esta contiene consejos e información útiles para garantizar el uso correcto y conforme del sistema.



Posible situación peligrosa que puede provocar lesiones graves, leves o la muerte y causar daños materiales importantes o menores.



Posible situación peligrosa que podría conducir a una situación de peligro por descargas eléctricas y provocar lesiones graves o la muerte.

ES

**ATENCIÓN:** Instrucciones de seguridad importantes. Por su seguridad y la de otras personas, es importante seguir estas instrucciones. Conserve estas instrucciones.



- Si se hace caso omiso de la información proporcionada en este manual pueden producirse lesiones personales o daños en el equipo.
- Para reducir el riesgo de lesiones personales, utilice este mecanismo solamente con puertas peatonales batientes o plegables simples o dobles.
- El suministro eléctrico principal debe instalarse con protección y debe instalarse también, de acuerdo a la normativa local, un interruptor o magnetotérmico que corte todos los polos con una capacidad de aislamiento de Categoría III.

- Examine frecuentemente la instalación para determinar si presenta algún desequilibrio, cuando sea relevante, o si hay signos de desgaste o daños en los cables, muelles y fijaciones. No usar si necesita reparaciones o ajustes.
- No usar el equipo si necesita reparaciones o ajustes.
- **ADVERTENCIA:** el accionamiento debe desconectarse de la fuente de alimentación durante la limpieza, el mantenimiento y al sustituir piezas.
- El mecanismo puede ser utilizado por niños mayores de 8 años de edad si han sido instruidos por una persona a cargo de su seguridad sobre el uso de la aplicación de una forma segura y comprenden los riesgos que entraña su uso.
- El mecanismo puede ser utilizado por niños mayores de 8 años de edad o más pequeños si han sido instruidos por una persona a cargo de su seguridad.
- El mecanismo puede ser utilizado por personas con discapacidad física, sensorial o mental, si han sido instruidos por una persona a cargo de su seguridad sobre el uso de la aplicación de una forma segura y comprenden los riesgos que entraña su uso.
- La limpieza y el mantenimiento que debe realizar el usuario no deberán realizarlo niños.
- No permitir que nadie, tampoco niños, se suba a la puerta ni juegue con ella ni con sus controles fijos/remotos.
- El conjunto de puertas puede accionarse automáticamente mediante sensores o manualmente con activadores. Puede utilizarse manualmente como un mecanismo de cierre.

- No intente atravesar la puerta si se está cerrando.
- Esta aplicación puede contener baterías que solo podrán ser sustituidas por personal cualificado.
  - La batería se debe sacar del aparato antes de su eliminación.
  - El aparato debe desconectarse del suministro eléctrico principal para desmontar la batería.
  - La batería debe desecharse de modo seguro.
- Asegúrese de que los controles que se pueden ajustar para una posición de bloqueo solo se activan cuando no hay otras personas en la sala.

## Enhorabuena por su nueva puerta automática

ASSA ABLOY Entrance Systems AB lleva más de 50 años desarrollando puertas automáticas. Gracias a la moderna tecnología y a materiales y componentes sometidos a exhaustivos exámenes, podrá disfrutar de un producto de la más alta calidad.

Al igual que ocurre con otros productos técnicos, su puerta automática requiere un servicio y mantenimiento periódicos. Es esencial que conozca su (sistema de) puertas automáticas y que se dé cuenta de la importancia de mantenerla de acuerdo a los estándares de seguridad aplicables.

El representante autorizado de Ditec de su localidad ya conoce estos estándares, así como la normativa local aplicable y las recomendaciones de Ditec para puertas destinadas al tráfico peatonal accionadas eléctricamente. El servicio y ajustes realizados por el representante autorizado de Ditec asegurarán un funcionamiento correcto y seguro de su puerta automática.

## Interferencias en la recepción de equipos electrónicos

Este equipo puede generar y utilizar energía de radiofrecuencia y si no se instala ni se utiliza como es debido, puede provocar interferencias en la recepción de radio, televisión u otros sistemas que funcionen por frecuencia de radio.

Si cualquier otro equipo no cumple en su totalidad los requisitos de inmunidad pueden producirse interferencias.

No obstante, esto no garantiza que no se producirán interferencias en una instalación en particular. Si este equipo provocara interferencias en la recepción de radio y televisión, aspecto que se puede comprobar encendiendo y apagando el equipo, el usuario puede intentar corregir tales interferencias adoptando una o más de las siguientes medidas:

- Re-orientar la antena receptora.
- Volver a ubicar el receptor en relación al equipo.
- Apartar el receptor del equipo.
- Conectar el receptor a otro enchufe, de manera que el equipo y el receptor estén en diferentes circuitos derivados.
- Comprobar que la tierra de protección (PE) está conectada.

Si es necesario, el usuario deberá solicitar asistencia adicional al distribuidor o a un técnico electrónico experimentado.

## Requisitos medioambientales

Los productos Ditec están equipados con piezas electrónicas y también pueden utilizar baterías que contengan materiales peligrosos para el medio ambiente. Desconectar la alimentación antes de desmontar cualquier componente electrónico y asegurarse de que se desecha conforme a la normativa local (modo y lugar) del mismo modo que se ha hecho con el embalaje.

## Fiabilidad de producto

Según la normativa, los siguientes aspectos quedan bajo la responsabilidad del propietario o la persona que realice el mantenimiento del equipo

- que el equipo funcione correctamente, de tal modo que ofrezca la suficiente protección en lo referente a seguridad e higiene
- que el equipo se accione, se mantenga y se someta a inspecciones y servicio regulares por parte de una persona debidamente formada en las normativas aplicables y el funcionamiento del equipo
- que los documentos “Libro de Mantenimiento” y “Evaluación de riesgos y prueba de aceptación en las instalaciones” entregados, están disponibles para realizar los registros de mantenimiento y servicio.
- que la inspección incluya la función de apertura de emergencia (en el caso que corresponda)



- que la fuerza de cierre sea la adecuada para el tamaño de puerta en sistemas de puertas resistentes al fuego homologadas (cuando corresponda).

## Servicio

Un técnico debidamente cualificado y formado deberá realizar inspecciones regulares. la frecuencia de las mismas debería ser como mínimo la indicada en la normativa nacional o en los estándares industriales en ausencia de una normativa nacional. Esto es especialmente importante cuando se trata de instalaciones de puertas contraincendios homologadas o de puertas con función de apertura de emergencia. Para alargar la vida útil de su inversión y garantizar un funcionamiento fiable y seguro de la puerta, recomendamos dos visitas anuales o más, como mínimo, dependiendo del uso y condiciones de funcionamiento. También han de tenerse en cuenta los aspectos medioambientales. Póngase en contacto con su representante de Ditec que le asesorará sobre nuestra oferta de servicio.

## Uso previsto

El Ditec DAB305 es un mecanismo automático para puertas batientes desarrollado para facilitar la entrada a edificios y a zonas en el interior de edificios a través de puertas batientes. El Ditec DAB305 es un mecanismo electromecánico homologado para aplicaciones de puertas cortafuegos. Se ha diseñado para su instalación en interiores, en la mayoría de tipos de puertas batientes internas y externas. Este mecanismo, ampliamente utilizado, puede encontrarse en aplicaciones que van desde el acceso para personas discapacitadas en hogares privados a operaciones con gran afluencia de tráfico en negocios.

La puerta se ha diseñado para utilizarla sin interrupciones, con un alto grado de seguridad y máxima vida útil. El sistema se ajusta automáticamente a los efectos causados por las variaciones normales de las condiciones atmosféricas y cambios de fricción menores provocados, por ejemplo, por el polvo y la suciedad.

Para la evacuación en situaciones de emergencia, el conjunto de la puerta se abre manualmente, aunque también se puede abrir con el motor en circunstancias determinadas.

Para la instalación y el mantenimiento, consulte el Manual de instalación y servicio 1020527.

Guarde estas instrucciones para futuras consultas.

## Especificaciones técnicas

Fabricante:	ASSA ABLOY Entrance Systems AB
Dirección:	Lodjursgatan 10, SE-261 44 Landskrona, Sweden
Tipo:	Ditec DAB305
Suministro eléctrico:	100-240 V AC, +10/-15%, 50/60 Hz
Consumo eléctrico:	Máx. 300 W
Clase de protección:	IP20
Presión acústica:	$L_{pa} \leq 70 \text{ dB}(A)$
Homologaciones:	Homologaciones de terceros realizadas por organizaciones de certificación válidas reconocidas para la seguridad en el uso. Consultar la Declaración de incorporación.

## Funcionamiento del Ditec DAB305





El mecanismo para puertas batientes Ditec DAB305 utiliza un motor de CC y un sistema de reducción de engranajes para el accionamiento de un sistema de brazo, que abre la puerta. La potencia de cierre genera un motor y un muelle de cierre. Una sofisticada unidad electrónica de control utiliza un encoder de motor y un microprocesador para controlar el movimiento de la puerta.

Para activar el mecanismo pueden utilizarse activadores manuales (pulsador de codo) o un activador automático (radar). También es posible activar el mecanismo, siempre que lo permitan los estándares locales, empujando la puerta, si se ha seleccionado la función de empujar y pasar (push and go).

Tras haber activado la puerta se abrirá y permanecerá abierta durante un tiempo de apertura mantenida (HOT) especificado. Cuando el tiempo de apertura HOT ha transcurrido, la puerta se cerrará.

El Ditec DAB305 puede ajustarse en tres o cuatro modos distintos, dependiendo del tipo de selector de programas, consultar la tabla siguiente.

En el modo de uso manual (o si se produce un fallo del suministro eléctrico), Ditec DAB305 actuará como un mecanismo normal de cierre.

Posición	Funcionamiento
 AUTO Posición normal	La puerta puede ser abierta con los activadores automáticos y/o manuales interiores y exteriores. Si dispone de cierre electromecánico estará abierto.
 DESACTIVADO	La puerta está cerrada. La puerta no se puede abrir con unidades de activación interiores ni exteriores. La puerta está cerrada si se ha instalado un dispositivo de cierre electromecánico. La puerta puede abrirse con un interruptor de llave (si está montado).
 ABIERTA	El motor mantiene la puerta abierta permanentemente.
 SALIDA	Paso desde el interior solamente. La puerta está normalmente cerrada si se ha instalado un dispositivo de cierre electromecánico. La puerta sólo puede abrirse con la unidad de activación interior y con un interruptor de llave (si está montado).

# Comprobaciones regulares de seguridad

Para ayudarle a cumplir todos los requisitos nacionales/internacionales y para evitar fallos de funcionamiento y el riesgo de que se produzcan lesiones personales, hemos elaborado la siguiente lista de comprobación.



No utilice el mecanismo si necesita alguna reparación o ajuste.





Desconectar el suministro eléctrico principal <sup>(14)</sup> al limpiar o al realizar otras tareas de mantenimiento.

ES

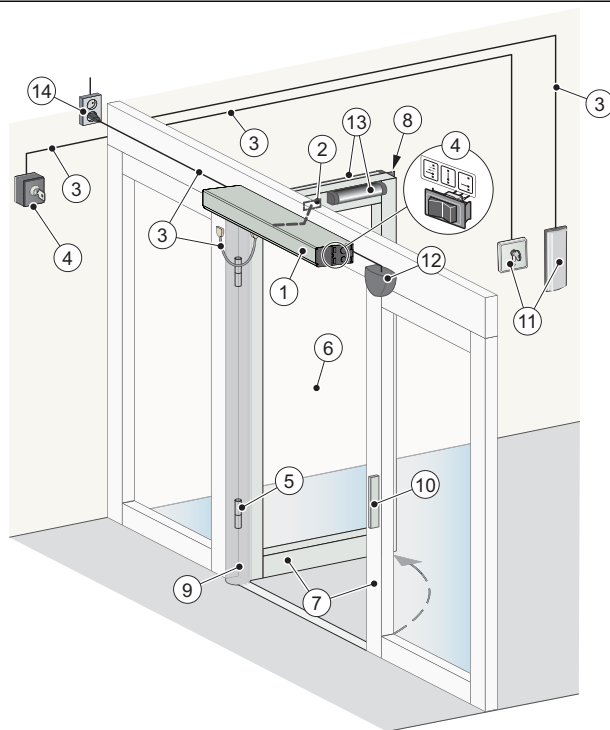
Acción diaria		Si surge un problema
Active el mecanismo y compruebe <i>visualmente</i> la sujeción y si ésta presenta daños <ul style="list-style-type: none"> <li>• mecanismo <sup>(1)</sup></li> <li>• sistemas de brazo <sup>(2)</sup></li> <li>• cables <sup>(3)</sup></li> <li>• Interruptor de control <sup>(4)</sup></li> <li>• bisagras <sup>(5)</sup></li> <li>• puertas y cristal <sup>(6)</sup></li> </ul>		
Inspeccione el mecanismo y compruebe <i>visualmente</i> <ul style="list-style-type: none"> <li>• cantos o bordes afilados en la hoja y el marco de la puerta (si hay) <sup>(7)</sup></li> <li>• estado de los felpillos o gomas de cierre de la puerta <sup>(8)</sup></li> <li>• protección para los dedos <sup>(9)</sup></li> <li>• y finalmente, que toda la puerta funcione correctamente y se cierre lentamente sin problemas.</li> </ul>		 
Configure el selector de programas en DESACTIVADO y compruebe que el mecanismo y el cerrojo electromecánico (si tiene montado uno) funcionan conjuntamente. Compruebe también que el cerrojo <sup>(10)</sup> realmente asegura la puerta.		
Active las unidades de activación manual <sup>(11)</sup> , si dispone de ellas, y camine hacia la puerta. Compruebe que la puerta se abre adecuadamente al atravesar la entrada/salida. A continuación, continúe con las unidades de activación automática <sup>(12)</sup> del mismo modo.		
Compruebe los sensores de seguridad, <sup>(13)</sup> si los hay, colocándose en la vía de abatimiento y active el mecanismo. La puerta no debe golpearle al abrir ni al cerrar. Si no está seguro del tipo de sensor de que dispone, póngase en contacto con su representante de Ditec.		
Puerta en vía de evacuación	Coloque el selector de programas en modo Auto. Empuje la puerta manualmente en la dirección de salida y asegúrese de que no haya ningún objeto que impida la apertura de la puerta. Asegúrese también de que la ruta de evacuación esté libre y lista para su uso.	 
Puertas a prueba de fuego	Deje que la puerta se cierre tras un impulso y asegúrese de que no haya nada que impida el cierre y el bloqueo de la puerta (si la normativa así lo requiere).	 

Según la legislación vigente, estas comprobaciones deben ser realizadas regularmente por personal debidamente formado.

 = Realice las acciones que sean necesarias.

 = Póngase en contacto con su representante de Ditec.

## FUNCIONAMIENTO E INSPECCIÓN VISUAL



## LIMPIEZA

La mejor manera de eliminar el polvo y la suciedad del Ditec DAB305 es con agua y un paño suave o una esponja. Se puede utilizar un detergente poco agresivo. Para mantener la calidad del tratamiento de las superficies, estas deben limpiarse una vez cada cuatro meses. Anote las fechas de limpieza en un registro. Para evitar daños en los perfiles, las escobillas/tiras aislantes deben limpiarse semanalmente con una aspiradora.

- No exponga las hojas móviles y fijas o perfiles a los álcalis porque dañan el aluminio y los cristales.
- No lave con chorro de agua a alta presión. El operador, el selector de modo y el sensor pueden estar dañados y el agua puede entrar en los perfiles.
- No utilice detergentes con pulimentos.
- No utilice estropajos del tipo Scotch-brite porque causan daños mecánicos.

## SEÑALIZACIÓN



Acción		Si surge un problema
Compruebe que toda la señalización requerida esté en su sitio e intacta. Obligatorio/a indica que la señalización es obligatoria de acuerdo a las directivas europeas y legislaciones nacionales equivalentes fuera de la Unión Europea.		
(A)	Etiqueta de producto: obligatoria	
(B)	Sistema de evacuación antipánico: obligatorio, si se ha aprobado para una ruta de evacuación.	
(C)	Pegatina de la puerta. Obligatorio, si es aplicable, para resaltar la presencia del cristal (aplicada en ambos lados de las secciones de cristal móviles).	
(D)	Cuidado con los niños (aplicada en ambas lados de la puerta): Obligatorio según la normativa nacional. Recomendado, si el análisis de riesgo indica uso por niños.	
(E)	Mecanismo diseñado para personas discapacitadas: recomendado, si es aplicable (aplicado en ambas lados de la puerta).	
(F)	Activación por personas discapacitadas: recomendada, si es aplicable.	
(G)	Puerta automática. Solo obligatoria en el Reino Unido.	
(H)	Sin entrada, identificando tráfico en un sentido: obligatoria en Reino Unido, en los casos relevantes, aunque no se incluye con el producto.	
(I)	Mantener despejado. Solo obligatorio en el Reino Unido.	

= Póngase en contacto con un representante del servicio técnico de Ditec.

## Accesorios generales

Su Ditec DAB305 puede mejorarse aún más con los siguientes complementos (si desea una descripción detallada de los mismos, póngase en contacto con las oficinas centrales de Ditec).

- Interruptor de control ④, [consulte la página 68](#)
- Cerrojo eléctrico ⑩, [vea la página 68](#)
- Interruptor de llave ⑪, [vea la página 68](#)
- Interruptor de codo ⑪, [vea la página 68](#)
- Radar ⑫, [vea la página 68](#)
- Mandos a distancia (no se muestran)
- Control de acceso (no se muestra)
- Tope de puerta (no se muestra)

## Accesorios de seguridad

Incluso si el mecanismo Ditec DAB305 se instala para cumplir con toda la normativa aplicable, es posible mejorar la comodidad/seguridad con los siguientes complementos (si desea una descripción detallada de los mismos, póngase en contacto con el representante de ASSA ABLOY Entrance Systems de su localidad).

- Sensores de seguridad ⑬, [vea la página 68](#).
- Protección para las manos ⑨, [vea la página 68](#).

## Solución de problemas

¿Problemas?	Acciones
<b>La puerta no se abre</b>	
El motor no arranca.	Cambie el ajuste del selector de modo. <a href="#">(Ver la página 66)</a> .
	Compruebe que no hay objetos en la zona de detección si hay montado un sensor.
	Compruebe el suministro eléctrico y los fusibles del edificio.
<b>El motor arranca pero la(s) puerta(s) no se abre(n)</b>	Desbloquee los cerrojos mecánicos.
	Controle que no hay ningún objeto atascado debajo de la puerta.
<b>La puerta no se cierra</b>	Cambie el ajuste del selector de modo. <a href="#">(Ver la página 66)</a> .
	Compruebe que no hay objetos en la zona de detección si hay montado un sensor.
	Controle que no hay ningún objeto atascado debajo de la puerta.
La puerta se abre y cierra continuamente	Compruebe que no hay objetos en movimiento a una distancia de 1 a 1,5 m (39"-59") de la puerta si dispone de una unidad de activación.
<b>Si el problema persiste, póngase en contacto con su representante de Ditec.</b>	

## Otros productos de Ditec

- Sistemas de puertas
- Puertas correderas
- Unidades de activación automática y manual

## Declaración de incorporación

Nosotros  
ASSA ABLOY Entrance Systems AB  
Lodjursgatan 10  
SE-261 44 Landskrona  
Sweden

declaramos bajo nuestra responsabilidad que los equipamientos:  
**Ditec DAB305 Swing door operator**

cumple con las siguientes directivas:

**Directiva de compatibilidad electromagnética (2014/30/CE)**

**Directiva sobre máquinas (2006/42/CE) los requisitos esenciales de seguridad y salud (RESS):**

1.1.2, 1.1.3, 1.2.1, 1.2.2, 1.2.3, 1.2.4.2, 1.2.6, 1.3.9, 1.4.3, 1.5.1, 1.5.2, 1.5.11, 1.7.2, 1.7.4, 1.7.4.1, 1.7.4.2. Se adjunta documentación técnica para una integración segura.

**2011/65/UE sobre la restricción del uso de ciertas sustancias peligrosas en aparatos eléctricos y electrónicos con las modificaciones aplicables (RoHS)**

Estándares europeos armonizados que se han aplicado:

EN 60335-2-103:2015

EN 61000-6-2:2005

EN 61000-6-3:2007+A1:2011

EN ISO 13849-1:2015

EN 16005:2012/AC:2015

EN 60335-1:2012/AC:2014+A11:2014+A13:2017  
+A1:2019+A14:2019+A2:2019

Otros estándares o especificaciones técnicas que se han aplicado:

BBR

BVL

DIN 18263-4:1997

IEC 60335-1:2010 ed. 5

IEC 60335-2-103:2002 ed. 1/2011 ed. 2.1

EN 1158:1997+A1:2002+AC:2006

EN 1634-1:2008

Certificado emitido por un organismo notificado o competente relativo al equipo:

RISE C900020

La documentación técnica correspondiente se ha recopilado de acuerdo con el anexo VII, sección B, de la directiva 2006/42/CE.

El proceso de fabricación garantiza el cumplimiento del equipo con el archivo técnico.

La información correspondiente sobre la máquina parcialmente completa se entregará a petición específica y debidamente motivada de las autoridades nacionales.

El equipo no debe utilizarse hasta que se haya declarado la conformidad final del sistema de puertas automáticas instalado de acuerdo a la directiva sobre máquina 2006/42/CE.

La marca CE se aplicó por primera vez 2020-03-17.

Compilación de documentación técnica aplicable a los requisitos esenciales de seguridad y salud:

Matteo Fino  
Business Area PGA  
Ditec S.p.A.

Largo U. Boccioni, 1 - 21040 Origgio (VA) - Italy.

Firmado en nombre y por cuenta de ASSA ABLOY Entrance Systems AB por:

Lugar  
Origgio

Fecha  
2021-11-11

Firma  
Matteo Fino

Posición  
President B.A. PGA



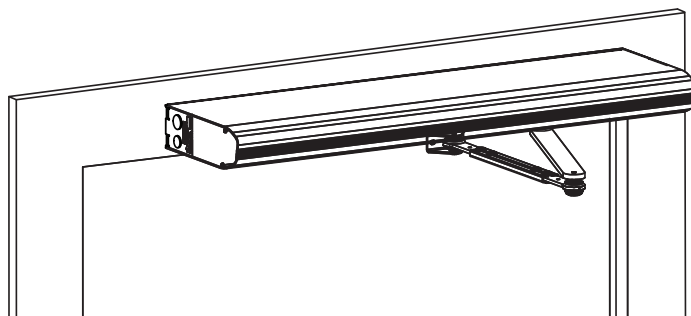




# Mecanismo da porta de batente Ditec DAB305

PT

## Manual do utilizador



Tradução das instruções originais

# ÍNDICE

Apresentação de notas e sinais de aviso .....	75
AVISO Instruções de segurança importantes. É importante para a segurança das pessoas seguir estas instruções. Guarde estas instruções. ....	75
Parabéns pela sua nova porta automática! .....	78
Interferências de recepção de equipamento electrónico .....	78
Requisitos ambientais .....	78
Fiabilidade do produto .....	78
Assistência .....	79
Uso a que se destina .....	79
Especificações técnicas .....	79
Como o Ditec DAB305 funciona .....	80
Verificações de segurança regulares .....	81
Acessórios gerais .....	84
Acessórios de segurança .....	84
Resolução de problemas .....	84
Outros productos da Ditec .....	84
Declaração de incorporação .....	85

## Apresentação de notas e sinais de aviso

São usados diversos símbolos e textos neste manual para uma compreensão e identificação mais fácil.

**Nota:** Quando vê **Nota!** esta contém conselhos e informações úteis para garantir uma utilização correta e em conformidade do sistema.



Situação de risco potencial que pode levar a ferimentos leves ou graves ou à morte e provocar danos patrimoniais menores ou substanciais.



Situação potencialmente perigosa que pode originar um perigo de choque elétrico e causar ferimentos graves ou a morte.

**AVISO** Instruções de segurança importantes. É importante para a segurança das pessoas seguir estas instruções. Guarde estas instruções.



- A não observância das informações contidas neste manual pode originar lesões pessoais ou danos no equipamento.
- Para reduzir o risco de ferimentos nas pessoas - utilize este sistema apenas com portas pedonais simples ou duplas de batente ou articuladas.
- A fonte de alimentação elétrica deve ser instalada com proteção e um interruptor elétrico para todos os pólos com capacidade de isolamento de Categoria III, deve ser instalado de acordo com os regulamentos locais.

- Examine frequentemente a instalação para detetar, quando aplicável, desequilíbrios e sinais de desgaste ou danos nos cabos, molas e montagem. Não utilizar no caso de serem necessárias reparações ou ajustes.
- Não utilizar o equipamento no caso de serem necessárias reparações ou ajustes.
- AVISO: a unidade de acionamento deve ser desligada da sua fonte de alimentação durante a limpeza, manutenção e ao substituir peças.
- O mecanismo pode ser utilizado por crianças com mais de 8 anos de idade e pessoas que tiverem recebido instruções por parte da pessoa responsável pela respetiva segurança no que se refere à utilização do dispositivo de forma segura e compreensão dos riscos envolvidos.
- O mecanismo pode ser utilizado por crianças com mais de 8 anos de idade e pessoas que supervisionadas por uma pessoa responsável pela respetiva segurança.
- O mecanismo pode ser utilizado por pessoas com incapacidade física, sensorial e mental que tiverem recebido instruções por parte da pessoa responsável pela respetiva segurança no que se refere à utilização do dispositivo de forma segura e compreensão dos riscos envolvidos.
- As tarefas de limpeza e manutenção do utilizador não devem ser desempenhadas por crianças.
- Não permita que crianças ou alguém suba ou brinque com a porta ou os controlos fixos/remotos.

- As portas podem ser operadas automaticamente através de sensores ou manualmente através de ativadores. Também podem ser utilizadas manualmente como uma mola de porta.
- Não se precipite por uma porta a fechar.
- Este dispositivo pode conter baterias que apenas devem ser substituídas por pessoas habilitadas.
  - A bateria tem de ser retirada do dispositivo antes de ser eliminada
  - O dispositivo tem de ser desligado da fonte de alimentação durante a retirada da bateria.
  - A bateria deve ser eliminada de forma segura.
- Certifique-se de que os controlos que podem ser definidos para uma posição de bloqueio apenas sejam ativados apenas quando não houver outras pessoas na divisão.

## Parabéns pela sua nova porta automática!

ASSA ABLOY Entrance Systems AB tem desenvolvido portas automáticas durante mais de 50 anos. Tecnologia inovadora e materiais e componentes cuidadosamente testados oferecem-lhe um produto de qualidade superior.

Assim como todos os produtos técnicos, a sua porta automática necessita de manutenção e assistência periódicas. É essencial que esteja familiarizado com a porta automática (sistema) e que reconheça a importância de dar seguimento ao cumprimento das normas de segurança aplicáveis.

O seu representante local Ditec autorizado está familiarizado com estas normas, assim como com todos os códigos legais e Ditec recomendações relativos a portas pedonais elétricas. Assistência e ajustes efetuados pelo seu representante Ditec autorizado garantem um funcionamento seguro e adequado da sua porta automática.

## Interferências de recepção de equipamento electrónico

Este equipamento pode gerar e utilizar frequência de rádio e se não for correctamente instalado e utilizado, pode causar interferências na recepção de rádio, televisão ou em outros sistemas do tipo radiofrequência.

Podem ocorrer interferências se outros equipamentos não cumprirem na totalidade com os requisitos de imunidade.

Não há qualquer garantia de que não ocorram interferências numa determinada instalação. Se este equipamento provocar efetivamente interferências na recepção de rádio ou televisão, o que pode ser determinado se se ligar e desligar o equipamento, o utilizador pode tentar corrigir a interferência através de uma ou mais das seguintes medidas:

- Reorientar a antena de recepção.
- Colocar o receptor noutra posição tendo em conta o equipamento.
- Afastar o receptor do equipamento.
- Ligar o receptor a uma tomada diferente para que o equipamento e o receptor se encontrem em circuitos separados.
- Verificar se a protecção à terra (PE) está ligada.

Se necessário, o utilizador deve consultar o revendedor ou um técnico electrónico com experiência para mais sugestões.

## Requisitos ambientais

Os produtos Ditec estão equipados com componentes electrónicos e também podem estar equipados com baterias que contêm materiais perigosos para o ambiente. Desligue a alimentação antes de remover os componentes electrónicos e a bateria e certifique-se de que são eliminados em conformidade com os regulamentos locais (como e onde) como foi efetuado com o material de embalagem.

## Fiabilidade do produto

Segundo os regulamentos, os seguintes aspectos são da responsabilidade do proprietário ou do responsável pelo equipamento.

- Que o equipamento funciona correctamente, de forma a que possa oferecer uma protecção suficiente face a questões relacionadas com a segurança e com a saúde
- Que o equipamento seja operado e mantido, inspeccionado e assistido regularmente por alguém que possua competência documentada sobre o mesmo e os regulamentos aplicáveis
- de que os documentos “Livro de registo de assistência” e “Teste de aceitação do local e Avaliação de riscos” estejam disponíveis para os registos de manutenção e assistência
- Que a inspecção abranja a função de abertura de emergência (quando aplicável)
- que a força de fecho seja adequada para o tamanho da porta em sistemas de portas aprovadas para casos de incêndio (quando aplicável).

## Assistência

As inspeções devem ser efetuadas regularmente por uma pessoa qualificada e com formação. A frequência destas inspeções deve ser em conformidade com os regulamentos nacionais (ou em conformidade com o padrão da indústria se não existirem regulamentos nacionais). Este aspeto é particularmente importante quando a instalação se refere a uma porta corta-fogo aprovada ou a uma porta com uma função de abertura de emergência. Para prolongar a duração do seu investimento e garantir um funcionamento seguro e fiável da porta, recomendamos um mínimo de 2 ou mais visitas por ano, dependendo da utilização e das condições de funcionamento. Os aspetos ambientais também devem ser considerados.

Converse com o seu representante Ditec para saber mais acerca da nossa oferta de serviços.

## Uso a que se destina

A Ditec DAB305 é uma porta oscilante automática desenvolvida para facilitar a entrada em edifícios e no interior dos mesmos através de portas de batente. O Ditec DAB305 é um sistema eletromecânico aprovado para aplicações de porta corta-fogo. Destina-se a ser instalado em interiores nos quais é adequado para quase todos os tipos de portas oscilantes internas e externas. Este mecanismo muito comum pode ser encontrado em aplicações que vão desde o acesso para pessoas deficientes em casas privadas até unidades de retalho muito movimentadas.

A porta está concebida para oferecer uma utilização contínua, um elevado grau de segurança e uma duração máxima. O sistema é auto-ajustável aos efeitos causados pelas variações normais das condições climáticas e a pequenas alterações de fricção causadas, por exemplo, pelo pó e sujidade.

Para uma saída em situações de emergência, as portas são abertas manualmente, mas também podem ser abertas com motor em determinadas circunstâncias.

Para obter informações acerca da instalação e manutenção, consulte o Manual de Montagem e Serviço 1020527.

Guarde estas instruções para referência futura.

## Especificações técnicas

Fabricante:	ASSA ABLOY Entrance Systems AB
Morada:	Lodjursgatan 10, SE-261 44 Landskrona, Sweden
Tipo:	Ditec DAB305
Alimentação da rede eléctrica:	100-240 V CA +10/-15%, 50/60 Hz
Consumo de energia:	Máx. 300 W
Classe de proteção:	IP20
Pressão sonora:	$L_{pa} \leq 70 \text{ dB}(A)$
Aprovações:	Aprovações independentes de organizações de certificação reconhecidas, que se aplicam à segurança durante o uso, consulte a Declaração de Incorporação.

## Como o Ditec DAB305 funciona





O mecanismo da porta de batente Ditec DAB305 utiliza um motor DC e um sistema de engrenagem de redução para acionar um sistema de braço que abre a porta. A força de fecho é fornecida por um motor e uma mola de fecho. Uma unidade de controlo eletrónica altamente sofisticada utiliza um codificador de motor e um microprocessador para controlar o movimento da porta.

Para activar o mecanismo, pode utilizar um activador manual (interruptor) ou um activador automático (dispositivo de radar). Também é possível, se as normas locais o permitirem, activar o mecanismo empurrando a porta, se estiver seleccionado Push & Go.

Depois de a porta ter sido ativada, abre-se e mantém-se aberta durante um Hold Open Time (HOT) especificado. Quando o tempo de abertura termina, a porta fecha-se.

O Ditec DAB305 pode ser configurado em quatro modos diferentes, dependendo do tipo de seletor de programas, consulte a tabela abaixo.

Em utilização totalmente manual (ou em caso de falha de alimentação) o Ditec DAB305 atua como um fecho normal da porta.

Cargo	Função
 AUTO Posição normal	A porta pode ser aberta com os activadores manuais e/ou automáticos interiores e exteriores. O trinco eléctrico, se estiver instalado, abre-se.
 OFF	A porta está fechada. A porta não pode ser aberta com unidades de activação interiores e exteriores. A porta está bloqueada se tiver sido instalado um dispositivo de trinco electromecânico. A porta pode ser aberta com um interruptor de chave (se existente).
 ABERTA	A porta é mantida permanentemente aberta pelo motor.
 EXIT	Passagem apenas a partir do interior. A porta está normalmente bloqueada se tiver sido instalado um dispositivo de bloqueio electromecânico. A porta só pode ser aberta com a unidade de activação interior e um interruptor de chave (se existente).



## Verificações de segurança regulares

Elaboramos a seguinte lista de verificação para o ajudar a cumprir com os requisitos nacionais/internacionais e para evitar avarias e/ou risco de lesões.





Não utilize o mecanismo se o mesmo necessitar de ser reparado ou ajustado.



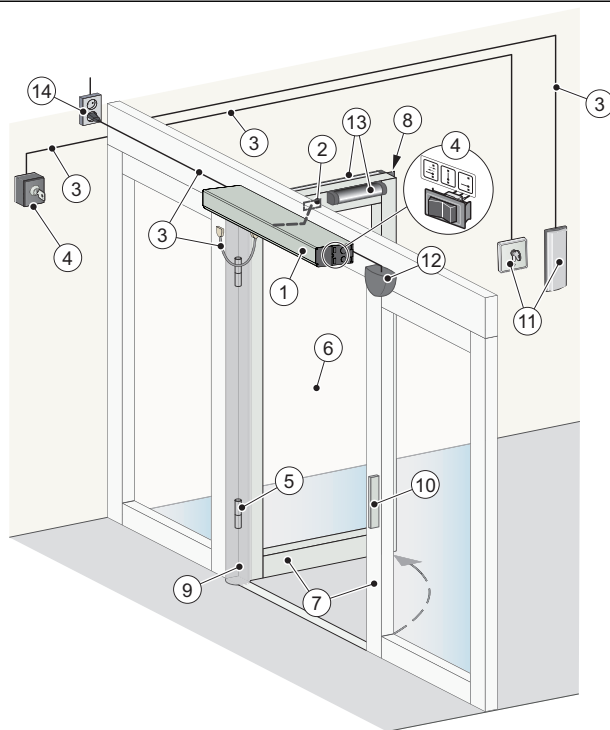
Desligue a fonte de alimentação elétrica <sup>(14)</sup> durante a realização de tarefas de limpeza ou manutenção.

Acção diária		Se o problema ocorrer	
Ative o mecanismo e verifique <i>visualmente</i> , a fixação e resolução de qualquer dos seguintes danos <ul style="list-style-type: none"> <li>• mecanismo <sup>(1)</sup></li> <li>• sistema de braço <sup>(2)</sup></li> <li>• cabos <sup>(3)</sup></li> <li>• Interruptor de controlo <sup>(4)</sup></li> <li>• dobradiças <sup>(5)</sup></li> <li>• porta e vidro <sup>(6)</sup></li> </ul>			
Inspeccione também o mecanismo e verifique <i>visualmente</i> o <ul style="list-style-type: none"> <li>• orlas aguçadas na folha da porta e na armação da porta (se existir) <sup>(7)</sup></li> <li>• condição dos vedantes da porta <sup>(8)</sup></li> <li>• protecção para dedos <sup>(9)</sup></li> <li>• e, finalmente, verifique se a porta funciona correctamente, fechando-se lentamente de modo suave.</li> </ul>		 	
Defina o seletor de modo para OFF e verifique se o mecanismo e o fecho eletromecânico (se instalado) funcionam em conjunto. Verifique também se o fecho <sup>(10)</sup> garante realmente a segurança da porta.			
Active as unidades de activação manual <sup>(11)</sup> , se existirem, e caminhe em direcção à porta. Verifique também se a porta abre de forma correcta enquanto entra/saia. Em seguida, proceda do mesmo modo com as unidades de activação automática <sup>(12)</sup> .			
Verifique os sensores de segurança, <sup>(13)</sup> se existentes, posicionando-se no percurso de oscilação, e ative o mecanismo. A porta não deve tocar-lhe durante a abertura ou fecho. Se não tiver a certeza acerca do tipo de sensor que possui, entre em contacto com o seu representante Ditec.			
Portas em portas de saída de emergência	Por lei, estes testes devem ser efectuados regularmente por pessoal com formação adequada.	Defina o seletor de programas para o modo AUTO. Empurre a porta manualmente na direcção de saída de emergência e certifique-se de que não existe nenhum objeto ou função que impeça a abertura da porta. Certifique-se também de que a saída de emergência está livre para ser utilizada.	 
Portas para casos de incêndio		Permita que a porta feche após um impulso que garanta que nada impede a porta de fechar e bloquear (se assim o exigirem os regulamentos).	 

 = Tome as medidas necessárias.

 = Entre em contacto com o seu representante Ditec.

## FUNCIONAMENTO E INSPEÇÃO VISUAL

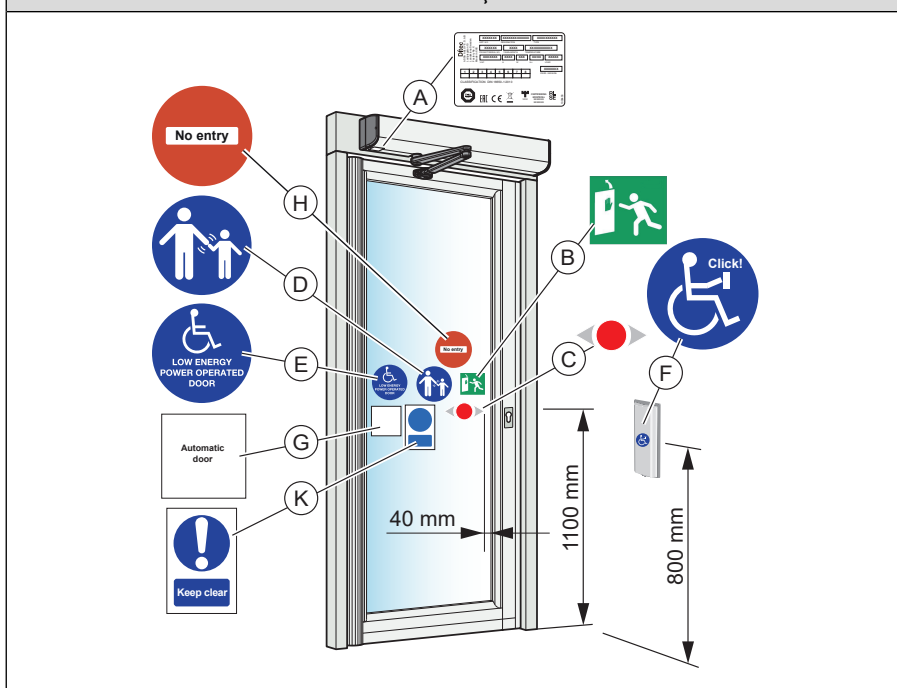


## LIMPEZA

A melhor forma de remover o pó e a sujidade de Ditec DAB305 é utilizar água e um pano ou esponja suave. Pode ser utilizado um detergente suave. Para manter a qualidade do tratamento da superfície, as superfícies devem ser limpas uma vez a cada quatro meses. A limpeza deve ser documentada. Para evitar danos nos perfis, as escovas/faixa climatérica devem ser aspiradas semanalmente.

- Não exponha janelas, portas ou perfis a ambientes alcalinos. Tanto o alumínio como o vidro são sensíveis ao calcário.
- Não limpe com jatos de água de pressão elevada. O mecanismo, o seletor de programas e o sensor podem ficar danificados e pode entrar água nos perfis.
- Não utilize detergente para polimento.
- Não esfregue com materiais tipo Scotch-brite, uma vez que pode originar danos mecânicos.

## SINALIZAÇÃO



Acção	Se o problema ocorrer
Verifique que toda a sinalização necessária esteja colocada e em bom estado. “Obrigatório” indica que a sinalização é requerida pelas directivas europeias e pela legislação nacional equivalente fora da União Europeia.	
(A) Etiqueta do produto: Obrigatório	
(B) Ligação de emergência: Obrigatória, se aprovado como saída de emergência.	
(C) Autocolante da porta. Obrigatório, se aplicável, para destacar a presença de vidro (aplicado em todas as secções de vidro em movimento).	
(D) Supervisão de crianças (aplicado em ambos os lados da porta): Obrigatório de acordo com os regulamentos nacionais. Recomendado, se a análise de riscos apresentar utilização por crianças.	
(E) Mecanismo concebido para deficientes: Recomendado, se aplicável (aplicado em ambos os lados da porta).	
(F) Ativação por pessoas com deficiência: Recomendado, se aplicável.	
(G) Porta automática. Obrigatório apenas no RU.	
(H) Sem entrada, identificação de sentido único: Obrigatório na Grã-Bretanha, se aplicável, não incluído no produto.	
(I) Manter livre. Obrigatório apenas no RU.	

= Entre em contacto com o seu representante de assistência Ditec.

## Acessórios gerais

O mecanismo Ditec DAB305 pode ainda ser melhorado com os seguintes suplementos (contacte o representante Ditec local para obter uma descrição detalhada).

- Interruptor de controlo (4), [consulte a página 82](#)
- Fecho eléctrico (10), [consulte a página 82](#)
- Interruptor de chave (11), [consulte a página 82](#)
- Interruptor (11), [consulte a página 82](#)
- Radar (12), [consulte a página 82](#)
- Transmissores sem fios (não ilustrados)
- Controlo de acesso (não ilustrado)
- Stop da porta (não ilustrado)

## Acessórios de segurança

Mesmo que o mecanismo Ditec DAB305 esteja instalado para cumprir com todos os regulamentos de segurança aplicáveis, é possível melhorar a segurança/conforto com os seguintes complementos (contacte a empresa ASSA ABLOY Entrance Systems local para obter uma descrição detalhada).

- Sensores de segurança (13), [consulte a página 82](#).
- Protecção dos dedos (9), [consulte a página 82](#).

## Resolução de problemas

O que está errado?	Soluções
<b>A porta não abre</b>	
O motor não arranca	Altere a definição do seletor de modo. ( <a href="#">Consulte a página 80</a> ).
	Certifique-se de que não existem objectos na zona de detecção se existir um sensor instalado.
	Verifique a alimentação elétrica e o fusível no edifício.
<b>O motor arranca mas a(s) porta(s) não abre(m)</b>	Desbloqueie os fechos mecânicos.
	Verifique se existe algum objecto entalado por baixo da porta.
<b>A porta não fecha</b>	
A porta abre-se e fecha-se continuamente	Altere a definição do seletor de modo. ( <a href="#">Consulte a página 80</a> ).
	Certifique-se de que não existem objectos na zona de detecção se existir um sensor instalado.
	Verifique se existe algum objecto entalado por baixo da porta.
A porta abre-se e fecha-se continuamente	
Certifique-se de que não existem objectos móveis num raio de 1-1,5 m (39"-59") da porta, se existir uma unidade de activação automática instalada.	
<b>Se o problema persistir, entre em contacto com o seu representante Ditec.</b>	

## Outros productos da Ditec

- Sistemas de portas
- Portas de correr
- Unidades de activação manual e automática

## Declaração de incorporação

Nós

ASSA ABLOY Entrance Systems AB  
Lodjursgatan 10  
SE-261 44 Landskrona  
Sweden

declaramos sob nossa exclusiva responsabilidade que o tipo de equipamento:  
**Ditec DAB305 Swing door operator**

estão em conformidade com as seguintes directivas.

**Directiva Compatibilidade Electromagnética (CEM) 2014/30/CE**

**Directiva Máquinas 2006/42/CE (DM) os seguintes requisitos essenciais de saúde e segurança:**

1.1.2, 1.1.3, 1.2.1, 1.2.2, 1.2.3, 1.2.4.2, 1.2.6, 1.3.9, 1.4.3, 1.5.1, 1.5.2, 1.5.11, 1.7.2, 1.7.4, 1.7.4.1, 1.7.4.2. É fornecida documentação técnica para integração segura.

**2011/65/UE acerca da restrição de utilização de determinadas substâncias perigosas no equipamento elétrico e eletrônico (RoHS) com as emendas aplicáveis**

Normas Europeias harmonizadas que foram aplicadas:

EN 60335-2-103:2015

EN 61000-6-2:2005

EN 61000-6-3:2007+A1:2011

EN ISO 13849-1:2015

EN 16005:2012/AC:2015

EN 60335-1:2012/AC:2014+A11:2014+A13:2017  
+A1:2019+A14:2019+A2:2019

Outras normas ou especificações técnicas que foram aplicadas:

BBR

BVL

DIN 18263-4:1997

IEC 60335-1:2010 ed. 5

IEC 60335-2-103:2002 ed. 1/2011 ed. 2.1

EN 1158:1997+A1:2002+AC:2006

EN 1634-1:2008

Certificado emitido por um organismo competente ou notificado em relação ao equipamento:  
RISE C900020

A documentação técnica relevante foi compilada de acordo com o Anexo VII da 2006/42/CE, secção B.

O processo de fabrico garante o cumprimento do equipamento com o ficheiro técnico.

As informações relevantes sobre a máquina parcialmente concluída serão entregues com um pedido fundamentado e especificado das autoridades nacionais.

O equipamento não deve ser utilizado até que o sistema de portas automáticas final instalado tenha sido declarado em cumprimento com a Directiva Máquinas 2006/42/CE.

A marca CE foi aplicada pela primeira vez 2020-03-17.

A compilação da documentação técnica é aplicável aos requisitos essenciais de saúde e segurança:

Matteo Fino  
Business Area PGA  
Ditec S.p.A.

Largo U. Boccioni, 1 - 21040 Origgio (VA) - Italy.

Assinado por e em nome de ASSA ABLOY Entrance Systems AB por:

Local  
Origgio

Data  
2021-11-11

Assinatura  
Matteo Fino

Cargo  
President B.A. PGA





ASSA ABLOY Entrance Systems AB, Lodjursgatan 10, SE-261 44 Landskrona, Sweden

[www.ditecautomations.com](http://www.ditecautomations.com)